

General catalogue **2021**



ROCAL

My Home

Rocal provides the warmth and the touch of class your home needs,

with our wood heating systems adapted to any space, environment or requirement.

We believe in a sustainable future and trust in renewable energy sources to bring comfort to your home.



Rocal

Our factory is in Centelles, just outside Barcelona.

Our more than 30 years' experience in the home heating industry are the best guarantee of our products quality.

Backed by the best human and technical team, Rocal is growing daily and expanding its horizons on a national and international scale.





Rocal has had the same vocation since it was founded in 1982: to create a range of products **freestanding stoves, insert modules, hearths, barbecues...** that lend your home all the comfort of a wood fire.

Quality and design

Rocal offers a wide range of products for you to choose the one that best suits your home. Our stoves are the result of hi-tech manufacturing methods combined with handcrafted finishes. A process in which every attention is paid to detail and only the highest quality materials are used.

We aim to provide functional design that is pleasing to the eye. We want our products to fit in with your projects.

Innovation and efficiency

We are committed to continuous product improvement, innovation and efficiency, and that has put our range right out in front. We use the latest technology to achieve optimal

performance with minimal emissions, which also means considerable fuel savings.



Guarantee and safety

Feel safe in the knowledge that our fireplaces are long-lasting and that our products are tested in compliance with European quality standards.

One of our priority objectives is to ensure safety in your home through quality products and professional distributors and fitters.

Ecodesign UE 2015/1185 regulation

As of January 2022, the new **Ecodesign** regulations will come into force for all wood-burning appliances. This regulation guarantees greater energy efficiency, as well as a low emission of CO₂ and other polluting gases. The

vast majority of our models already comply with this regulation, but we are working on those that do not, to have them ready in 2022 and thus contribute to a lower environmental impact.



	Efficiency	Dust	OGC	CO	NOX
CE 2007	50%	Not required	Not required	1%	Not required
Ecodesign UE 2015/1185	65% seasonal equivalent to 75% nominal	40mg/m ³	120mg/m ³	1500 mg/m ³ equivalent to 0,12%	200 mg/m ³



How to choose your Rocal experience

What fire do I need?

It is normal to have questions about which appliance to put in your home, here is some basic information to help you choose your ideal fireplace:

Heat recovery

I am looking for high efficiency and to complement my home heating system.

G Series

It offers comfort and pleasure (sliding door for greater comfort, spacious combustion chamber, total fire vision, **only for new construction**, optional fans)

Inserts

They offer high performance and practicality, good value for money (includes fans, need less space because they are compact, can be **inserted into an existing fire or new construction**).

Advantages of a heat recovery



Taking advantage of Wood burning to heat my room + other parts of the house.



It can be built into any space and decorated to suit your rooms decor.

I have an inefficient open fire → we recommend an Insert

I have new construction → You can choose between Insert or G Series

Design stoves / forced ventilation stoves

I want extra heat to my room, but the aesthetic design is the most important factor.



I want an exclusive fire that brings distinction to my home and a personal touch

Design fires: These heat by radiation, (working as a radiator), it only heats the room where the fireplace is located.

The fire is the central point of attention, its highlights its originality.



I'm searching a stove with forced ventilation for extra efficiency

The Habit range is ideal for you. Our contemporary stoves meet the requirement of modern design but seek to heat the room faster than a natural convection fireplace, since with forced ventilation it distributes heat more quickly.

Ecofriendly

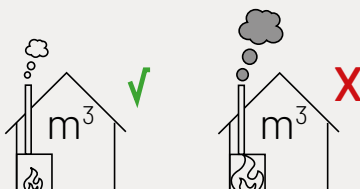


In general terms I want my choice to be "**ecofriendly**", meaning to be respectful with the environment. All our fireplaces are "ecofriendly" because we seek excellence in combustion to make it clean and efficient. In addition to a lower consumption that therefore allows considerable energy savings for me and the environment.

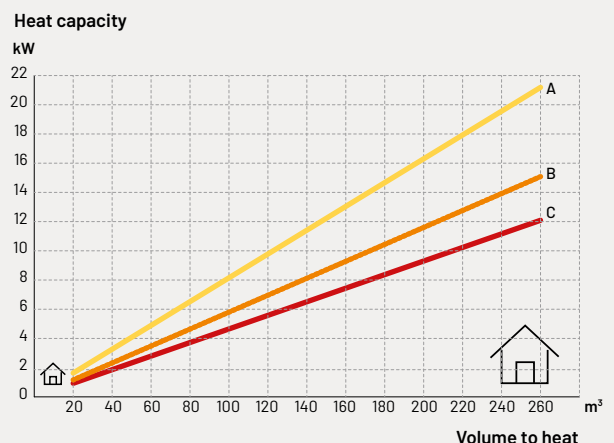
How do I know how many KW do I need?

A higher **performance**, more heat for **less** fuel.

Recommendation: do not choose a capacity that is too high for real needs, since there is a risk of having to use the fireplace or stove at a lower power than recommended, to do not overheat the room, which would lead to combustion low and therefore higher emissions.



- **C**
Good insulation: Double Glazed Windows and Cavity Wall Insulation.
- **B**
Simple insulation: Single Glazed Windows and Cavity Wall Insulation..
- **A**
Without Insulation: Simple window and simple wall.



Index

Wood

01. Design Freestanding Stoves 10

Central	15-21, 44-47
Frontal	22-43
Corner	26-27, 48-49

02. Freestanding Stoves 52

Frontal	54-59
Three sided view	60-61
Lateral view	62-63
Double sided view	64-65

Stove-Oven-Barbecue 66

03. Fireboxes 68

Frontal	70-75
Corner	76-77
Double sided view	78-79
Lateral view	80-83
Three sided view	84-85
Fitting accessories	88-89

04. Inserts Arc / Arc + Plus 90

Frontal	92-99
Frontal conical	95
Double sided view	100-101
Lateral view	102-105
Three sided view	106-109
Fitting accessories	120-121

Inserts Rcr Graffiti / Classic 112

RCr Graffiti	112-115
RCr Classic	116-117
Fitting accessories	120-121

05. Barbecues 122

Gas

01. Design Freestanding Stoves 130

Symbols 139

Wood

Wood

Wood is an ecological, economical biomass fuel. A natural fuel that man has used since time began. It is the renewable energy source par excellence. Using wood instead of fossil fuels reduces the greenhouse effect, as it does not increase the carbon dioxide in the atmosphere. Furthermore, wood is easy to find,

relatively cheap to obtain and contributes to clearing the forest floor.

Don't forget that wood burns slowly and elegantly and provides that special touch that makes a house a home.



01.

Design Freestanding Stoves

Our Freestanding stoves are distinguished by their balanced design and excellent hand-crafted finishes that doesn't avoid technology, which enables us to achieve excellent performance in terms of efficiency, output and minimum particle emission.

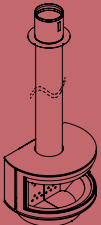
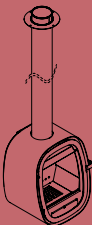
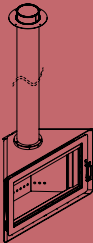
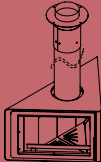
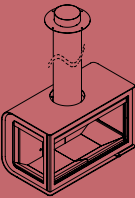


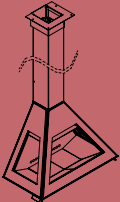
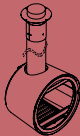
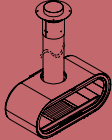
We use the most appropriate material for each part of the stove (steel, stainless steel, vermiculite, fire brick...), along with heat resistant paint for the outer finish.

We make versions to suit any space in your home.

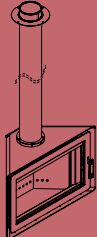

Central

<p>Ronde Central 14</p> 	<p>Born 18</p> 	<p>Gala 44</p> 	<p>Giselle 90 46</p> 
---	--	--	--

Frontal

<p>Ronde Frontal 22</p> 	<p>Oval 24</p> 	<p>Angle 26</p> 	<p>Vertex 30</p> 	<p>City 32</p> 	<p>Drop 36</p> 
<p>Mini Drop 34, 37</p> 	<p>D-10 38</p> 	<p>D-7 42</p> 	<p>D-8 40, 43</p> 		

Corner

<p>Angle 26</p> 	<p>Estela 48</p> 
---	--

General features	50
Custom adaptations	51



Ronde Central

The main character of Ronde is fire. This central fireplace is pure energy and simplicity, while its design allows a total view from anywhere in the room. In addition, due to its compact size it can fit in all spaces.

FEATURES

- Double ventilated hood for hot air.
 - Ceiling plate.
 - Heat resistant, anti-smoke, anti-odour paint.
 - Optional external air inlet.
 - Direct smoke pipe
 - Preheated primary and secondary air.
 - Foot included
- More details:
Page 50-51

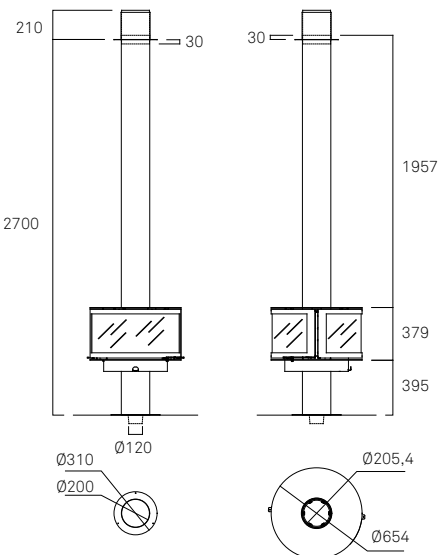
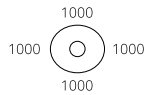
Ronde

X1345

η	87,2%
η_{nom}	13 kW
η_{nom}	9-15,5 kW
η_{CO_2}	0,079%
η_{CO_2}	18,70 mg/Nm ³
$\eta_{kg/h}$	3,4 kg/h
η_{kg}	180 kg
η_{cm}	33 cm
NOx	106 mg/Nm ³
OGC	61 mg/Nm ³
UE	UNE EN-13240



Security distances (mm):

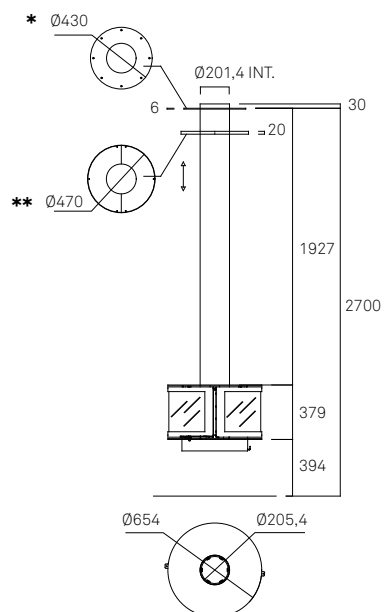




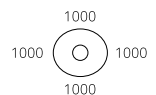


Ronde Central Suspended

Includes an adjustable attachment to affix the fireplace, depending on the conditions of the ceiling.



Security distances (mm):



(* Finishing piece welded to the pipe ** Finishing trim for the roof).
 For a combustible roof or other requests, please contact our sales department.
 For higher roof than 3 meters, it is necessary to hold the pipe with a fasteners or cables.
 Please check with our sales department for more information



Born

Born is a triangle-shaped, central freestanding stove. Its three sides, each offering a great view of the fire, make it incredibly transparent with modern, up-to-date, simple lines.

FEATURES

Double ventilated hood for hot air.
Ceiling plate.
Heat resistant, anti-smoke, anti-odour paint.
HRC glass (self-cleaning).
Ember grate and ash pan.
Optional external air inlet.

Direct smoke pipe
Preheated primary and secondary air.
Foot included

More details:
Page 50-51

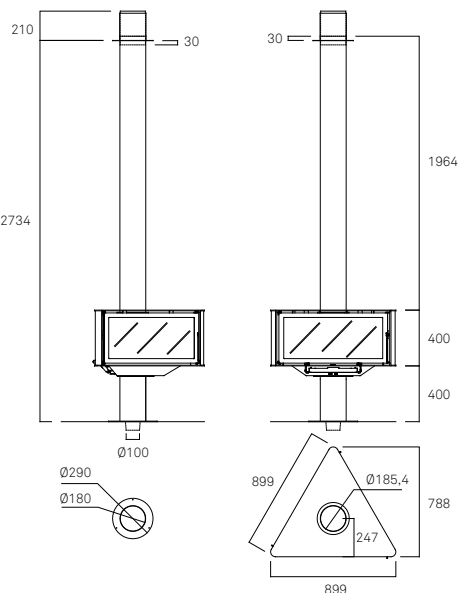
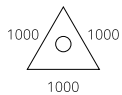
Born

X1315

	75%
	14,1 kW
	9,5-16,5 kW
	0,13%
	79 mg/Nm ³
	4,2 kg/h
	156 kg
	33 cm
NOx	150 mg/Nm ³
OGC	111 mg/Nm ³
	UNE EN-13240



Security distances (mm):

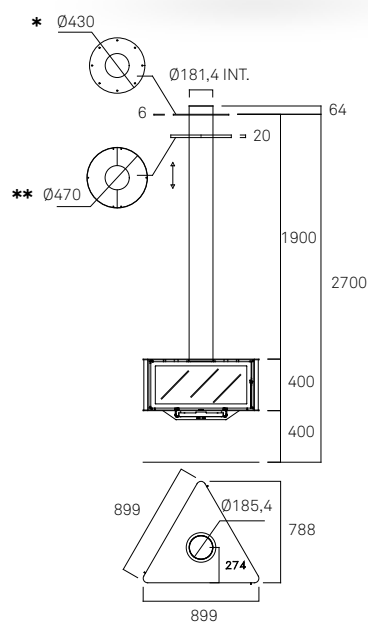




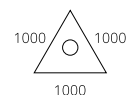


Born Suspended

Includes an adjustable attachment to affix the fireplace, depending on the conditions of the ceiling.



Security distances (mm):



(* Finishing piece welded to the pipe ** Finishing trim for the roof).
 For a combustible roof or other requests, please contact our sales department.
 For higher roof than 3 meters, it is necessary to hold the pipe with a fasteners or cables.
 Please check with our sales department for more information



Ronde Frontal

This fireplace continues the Ronde ethos and concept but in wall fire format that can be enjoyed from anywhere in the living room.

FEATURES

- Double ventilated hood for hot air.
- Ceiling plate.
- Heat resistant, anti-smoke, anti-odour paint.
- Ember grate.
- Optional external air inlet.
- Direct smoke pipe

- Preheated primary and secondary air.
- Vermiculite lining in black.
- Steel-coated vermiculite base.

More details:
Page 50-51

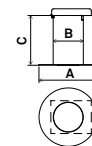
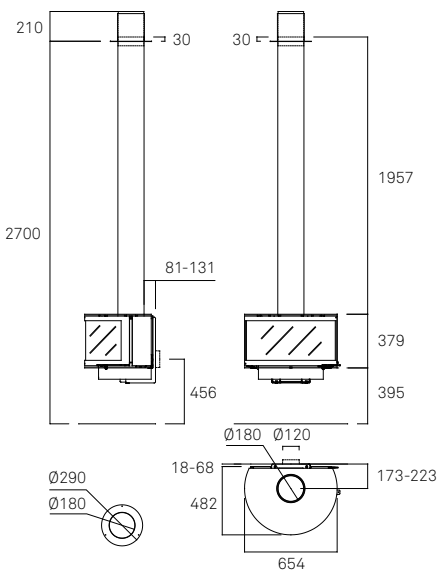
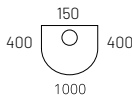
Ronde Frontal

X1340

η	89%
η_{nom}	9,7 kW
η_{net}	7-11,5 kW
η_{CO_2}	0,09%
$\eta_{PM_{10}}$	24,3 mg/Nm ³
η_{CO}	2,44 kg/h
η_{NOx}	120 kg
η_{OGC}	25 cm
η_{NOx}	105 mg/Nm ³
η_{OGC}	66 mg/Nm ³
η_{UE}	UNE EN-13240



Security distances (mm):



A Ø350
B Ø180
C 300

A4575

Optional stand.



Oval

With an oval finish, this fireplace offers value that borders on excellence. Additionally, its compact shape means that an Oval fireplace can easily fit in any space in the house.

FEATURES

Double ventilated hood for hot air.
Ceiling plate.
Heat resistant, anti-smoke, anti-odour paint.
Preheated primary and secondary air.
Tertiary or safety air.
Optional external air inlet.

Ember grate and ash pan.
Direct smoke pipe
Vermiculite lining in black.

More details:
Page 50-51

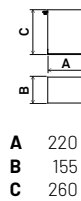
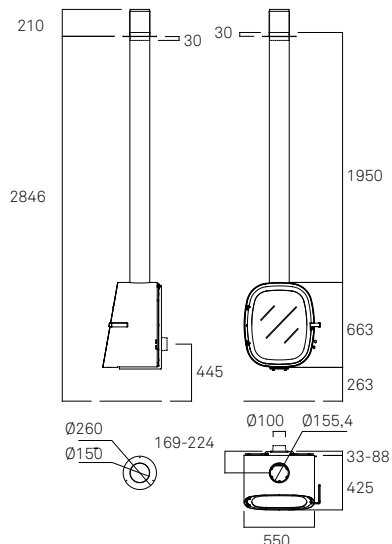
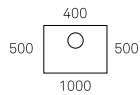
Oval

X1325

η	91,1%
η_{nom}	8,4 kW
η_{max}	6-10 kW
CO	0,078%
CO_2	19,98 mg/Nm ³
kg/h	2 kg/h
kg	112 kg
cm	33 cm
NOx	86,91 mg/Nm ³
OGC	51,55 mg/Nm ³
UE	UNE EN-13240



Security distances (mm):



A 220
B 155
C 260



A4565
Optional stand.



Angle

This model stands out for its versatility: it can be fitted as a corner or front-facing fireplace. It also offer some great results.

FEATURES

Double ventilated hood for hot air.
Ceiling plate.
Heat resistant, anti-smoke, anti-odour paint.
Preheated primary and secondary air.
Tertiary or safety air.

Optional external air inlet.
Direct smoke pipe
Vermiculite lining in black.
Steel-coated vermiculite base.

More details:
Page 50-51



Angle

X1330

η	81,3%
η_{nom}	7,25 kW
	5,5 - 9,5 kW
CO	0,091%
	26,14 mg/Nm ³
kg/h	1,92 kg/h
kg	139 Kg
cm	33 cm
NOx	88,64 mg/Nm ³
OGC	69,78 mg/Nm ³
	UNE EN-13240

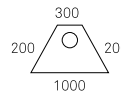
A+

AEFECC 7*

Stelle ambientale 4*

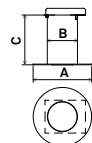
ECODESIGN 2022

Security distances (mm):

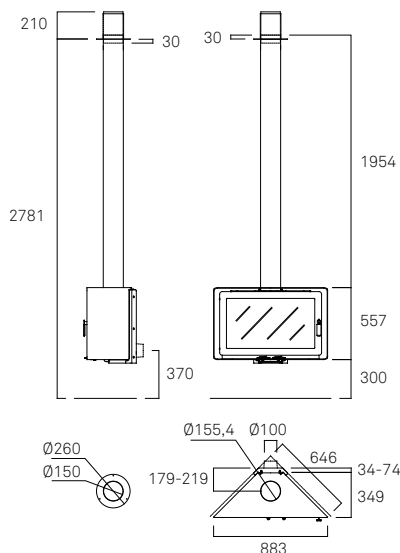


A4565

Optional stand.



A Ø350
B Ø155,4
C 300









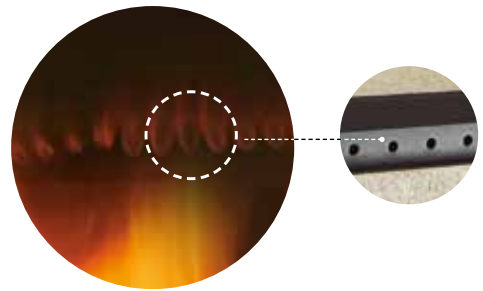
Angle with pivoting support

Angle with pivoting support



X1330-2
90-degree remote-controlled pivoting wall support





Tertiary or safety air.

Helps to increase performance: represents an extra contribution of oxygen that helps to better burn combustion gases.

Vertex

Architectural, refined and compact, it fits in anywhere. Its double front offers a clear view of the fire. Vertex is modern and current.

FEATURES

- Double ventilated hood for hot air.
- Ceiling plate.
- Heat resistant, anti-smoke, anti-odour paint.
- Ember grate and ash pan.
- Preheated primary and secondary air.
- Tertiary or safety air.
- Optional external air inlet.
- Direct smoke pipe
- Vermiculite lining in black.
- HRC glass (self cleaning).

More details:
Page 50-51

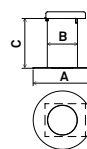
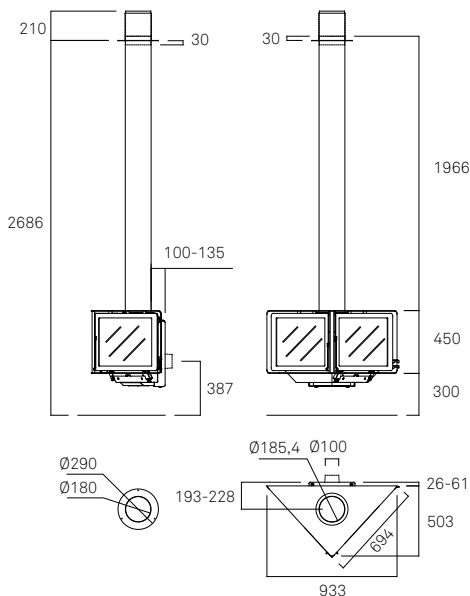
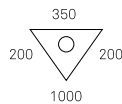
Vertex

X1310

	89,00%
	10,5 kW
	7-12,5 kW
	0,10%
	24,88 mg/Nm ³
	3 kg/h
	128 kg
	33 cm
NOx	82,98 mg/Nm ³
OGC	68,77 mg/Nm ³
	UNE EN-13240



Security distances (mm):



- A Ø350
- B Ø180
- C 205



A4555
Optional round stand.



Combustion chamber.



City

A freestanding stove for urban homes that is ready to stand out in a modern context. Discover its straight lines and how it leaves the fire completely visible. Offers extra firewood capacity with no loss of combustion quality.

FEATURES

- Double ventilated hood for hot air.
- Ceiling plate.
- Heat resistant, anti-smoke, anti-odour paint.
- Preheated primary and secondary air.
- Tertiary or safety air.
- Optional external air inlet.
- Direct smoke pipe

Vermiculite lining in black.
Steel-coated vermiculite base.

More details:
Page 50-51

City X1300V3

η	85,1%
η_{nom}	14,1 kW
	9,5 - 17 kW
	0,08%
	28,72 mg/Nm ³
	3,6 kg/h
	152 kg
	40 cm
NOx	62,77 mg/Nm ³
OGC	63,30 mg/Nm ³
	UNE EN-13240

A+

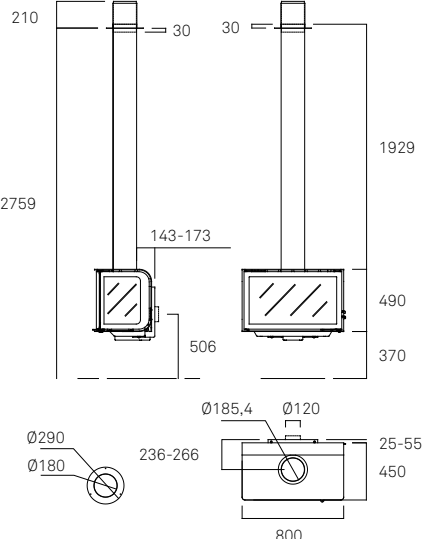
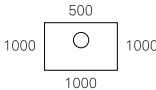
AEFECC 7*

Stelle ambientale 4*

CONTO TERMICO

ECODESIGN 2022

Security distances (mm):



- A** Ø350
- B** Ø180
- C** 300

A4535V3
Optional round stand.







Drop

Drop is sheer emotion. Its vertical line and rounded forms seek to adapt to and, at the same time, become the focal point of your home; with no aim to provoke indifference or to blend in.

FEATURES

Double ventilated hood for hot air.

Ceiling plate.

Heat resistant, anti-smoke, anti-odour paint.

Preheated primary and secondary air.

Tertiary or safety air.

Optional external air inlet.

Ember grate and ash pan.

Direct smoke pipe

Vermiculite lining in black.

More details:

Page 50-51

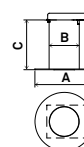
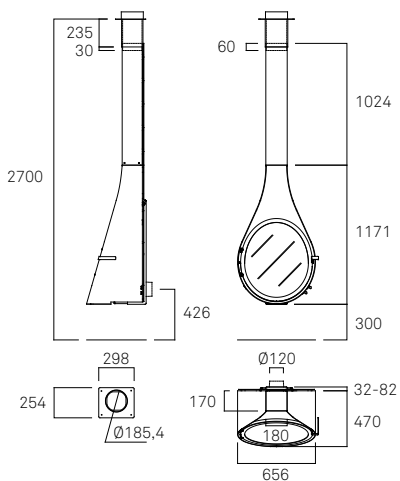
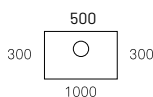
Drop

X1320

η	85,03%
\dot{q}_{nom}	9,9 kW
\dot{q}_{max}	6,5 - 11,5 kW
η_{CO}	0,093%
\dot{m}_{CO}	9,10 mg/Nm ³
\dot{m}_{HC}	2,64 kg/h
$\dot{m}_{PM_{10}}$	148 kg
$\dot{m}_{PM_{2,5}}$	33 cm
NOx	113 mg/Nm ³
OGC	68 mg/Nm ³
	UNE EN-13240



Security distances (mm):



A Ø350
B Ø180
C 300

A4560

Optional round stand.

Mini Drop

This reduced format of the popular Drop fireplace still brings the same emotion but with more possibilities.

FEATURES

Double ventilated hood for hot air.
Ceiling plate.
Heat resistant, anti-smoke, anti-odour paint.
Preheated primary and secondary air.
Tertiary or safety air.
Optional external air inlet.

Ember grate and ash pan.
Direct smoke pipe
Vermiculite lining in black.

More details:
Page 50-51

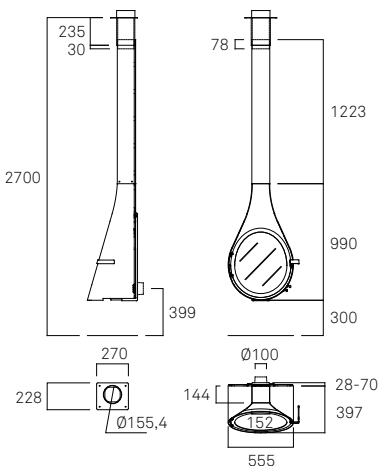
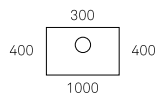
Mini Drop

X1321

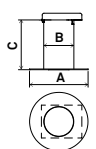
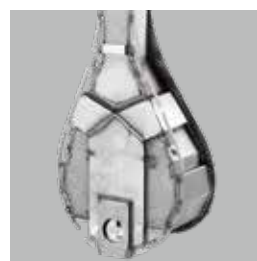
η	85,1%
\dot{q}_{nom}	8,1 kW
\dot{q}_{min}	3,8 - 9,5 kW
\dot{m}_{CO}	0,073%
$\dot{m}_{PM_{10}}$	29,2 mg/Nm ³
$\dot{m}_{PM_{2,5}}$	2,14 kg/h
m	113 kg
h	25 cm
NOx	92 mg/Nm ³
OGC	63 mg/Nm ³
	UNE EN-13240



Security distances (mm):



Combustion chamber (back): external air inlet and combustion air preheating.



A Ø330
B Ø170
C 300

A4561

Optional round stand.



D-10 graffiti

This model offers a fire vision from the front and the sides. Screen-printed glass. This stove can be suspended or in a foot and will withstand in any atmosphere.

FEATURES

Heat resistant, anti-smoke, anti-odour paint.
Preheated primary and secondary air.
Tertiary or safety air.
Optional external air inlet.
Cover pipe (it contains a cooler smoke pipe of 1M inside).
Ceiling plate.

Vermiculite lining in black.
Lateral doors opening for reload and frontal door opening for cleaning.
Steel-coated vermiculite base.

More details:
Page 50-51

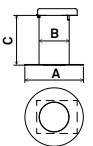
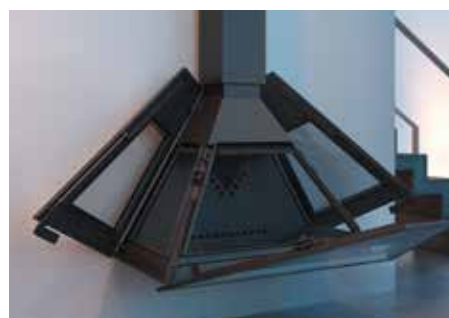
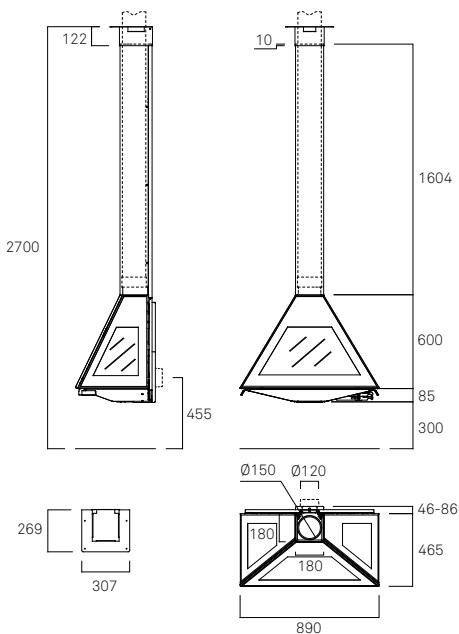
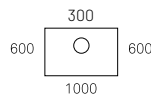
D-10 graffiti

X1267

	78,3%
	11,3 kW
	8 - 13,5 kW
	0,084%
	16 mg/Nm ³
	3,24 kg/h
	144 kg
	33 cm
	122 mg/Nm ³
	51 mg/Nm ³
	UNE EN-13240



Security distances (mm):



A Ø350
B Ø180
C 300

A4551

Optional round stand.





D-8

Its unusual shape makes it ideal to add an original touch to the modern living room.

FEATURES

- Drop-down door.
- Double ventilated hood for hot air.
- Ceiling plate.
- Heat resistant, anti-smoke, anti-odour paint.
- Optional external air inlet.
- Direct smoke pipe
- Primary and secondary register.

Vermiculite lining in black.
Steel-coated vermiculite base.

More details:
Page 50-51

D-8

X1285V6

η	87%
η_{nom}	11,3 kW
η_{fl}	7,5 - 13 kW
CO	0,080%
CO_2	29,72 mg/Nm ³
kg/h	2,8 kg/h
kg	180 kg
cm	45 cm
NOx	97,74 mg/Nm ³
OGC	69,60 mg/Nm ³
	UNE EN-13240

A+

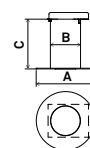
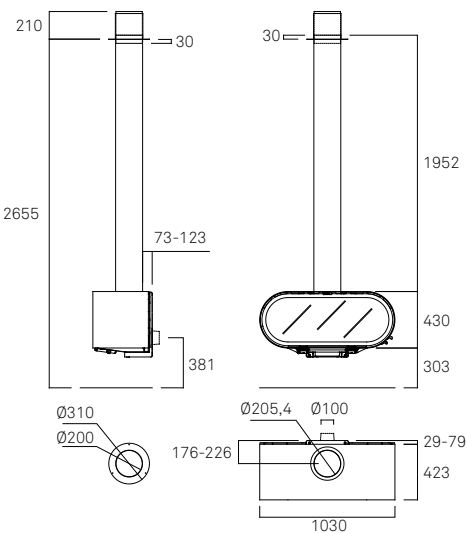
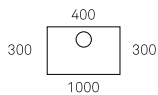
AEFECC 7*

Stelle ambientale 4*

CONTO TERMICO

ECODESIGN 2022

Security distances (mm):



A Ø350
B Ø200
C 300

A4530V6

Optional round stand.

Gala

This impressive central freestanding stove is synonymous with elegance and distinction. The focal point of any living room, it also achieves great energy efficiency. Gala is exclusive.

FEATURES

Double ventilated hood for hot air.
Ceiling plate.
Heat resistant, anti-smoke, anti-odour paint.
Ember grate and ash pan removal from the bottom.

Optional external air inlet.
Cover pipe (needs internal smoke pipe).
Preheated primary and secondary air.

More details:
Page 50-51



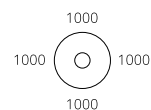
Gala

X1222

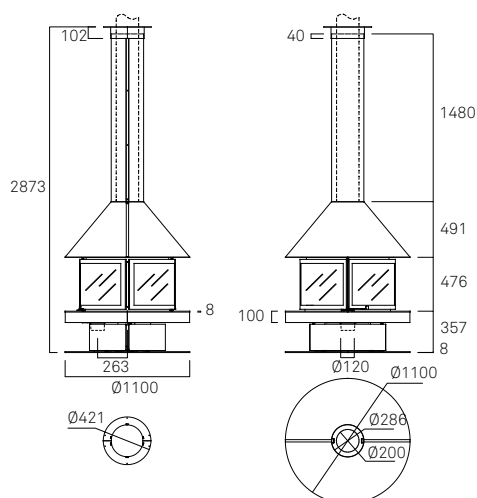
η	81,1%
$\frac{\text{nom}}{\text{nom}}$	17,5 kW
	12 - 21kW
CO	0,16%
	- mg/Nm ³
$\frac{\text{kg}}{\text{h}}$	4,7 kg/h
$\frac{\text{kg}}{\text{kg}}$	297 kg
$\frac{\text{cm}}{\text{cm}}$	40 cm
NOx	- mg/Nm ³
OGC	- mg/Nm ³
	UNE EN-13240

A+

Security distances
(mm):



Model in the recertification process.
Final data updated in www.rocal.es





Giselle 90

A central freestanding stove for those who love a real fire and good conversation, Giselle is a great reason to gather around the fire.

FEATURES

Double ventilated hood for hot air.
Ceiling plate.
Heat resistant, anti-smoke, anti-odour paint.
Ember grate and ash pan removal from the bottom.
Optional external air inlet.

Cover pipe.
Preheated primary and secondary air.
Four doors with automatic closure on loading door.

More details:
Page 50-51

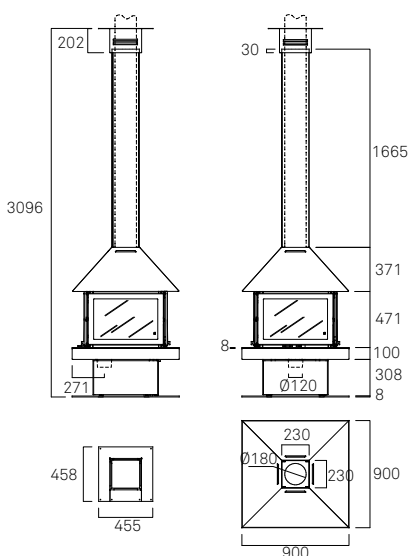
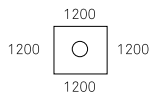
Giselle 90

X1273

η	77,5%
η_{nom}	15 kW
η_{max}	10,5-18 kW
CO	0,088%
PM_{10}	7,70 mg/Nm ³
kg/h	4,34 kg/h
kg	325 kg
cm	40 cm
NOx	105 mg/Nm ³
OGC	68 mg/Nm ³
	UNE EN-13240



Security distances
(mm):





Estela

Our straight-sided corner unit, the Estela, is fire brick-lined and has primary and secondary registers.

FEATURES

- Double ventilated hood for hot air.
- Ceiling plate.
- Heat resistant, anti-smoke, anti-odour paint.
- Ember grate and ash pan upper removal.
- Optional external air inlet.
- Preheated primary and secondary air.
- Cover pipe (needs internal smoke pipe)
- Refractory lining.

More details:
Page 50-51

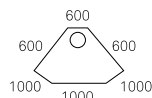
Estela

X1043

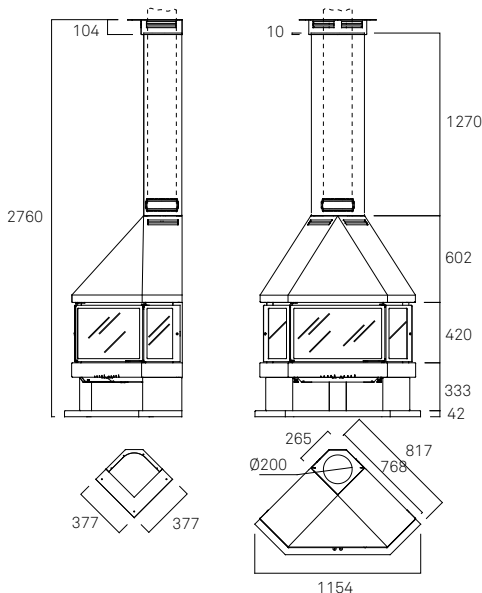
η	81,8%
\dot{q}_{nom}	15,7 kW
\dot{q}	10,5 - 18 kW
CO	0,12%
CO_2	- mg/Nm ³
\dot{m}	5 kg/h
M	217 kg
h	40 cm
NOx	- mg/Nm ³
OGC	- mg/Nm ³
UE	UNE EN-13240

A+

Security distances
(mm):



Model in the recertification process.
Final data updated in www.rocal.es





General features



Ceiling plate.



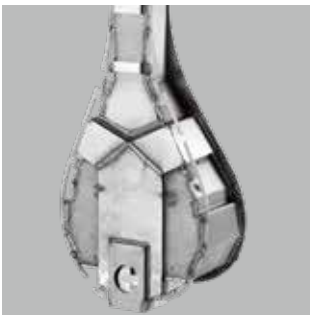
Ceiling attachment for flue cover.



Glass-ceramic glass.



External air inlet.
Guarantees that the air in the house is healthier. Does not interfere with domestic air extraction devices, such as those in the kitchen and bathroom.



Combustion chamber (back): external air inlet and combustion air preheating.



Tertiary or safety air.
Makes an extra contribution of oxygen that enables the combustion gases to burn better.



Primary and secondary register.
Provides oxygen for the lower and upper part of the glass.



Ember grate and ash pan.

Born
Vertex
Drop

D-7



Cover pipe.



Direct smoke pipe



Ember grate and ash pan removal from below.

Gisele 90
Gala
Estela (upper removal)



Vermiculite lining in black.

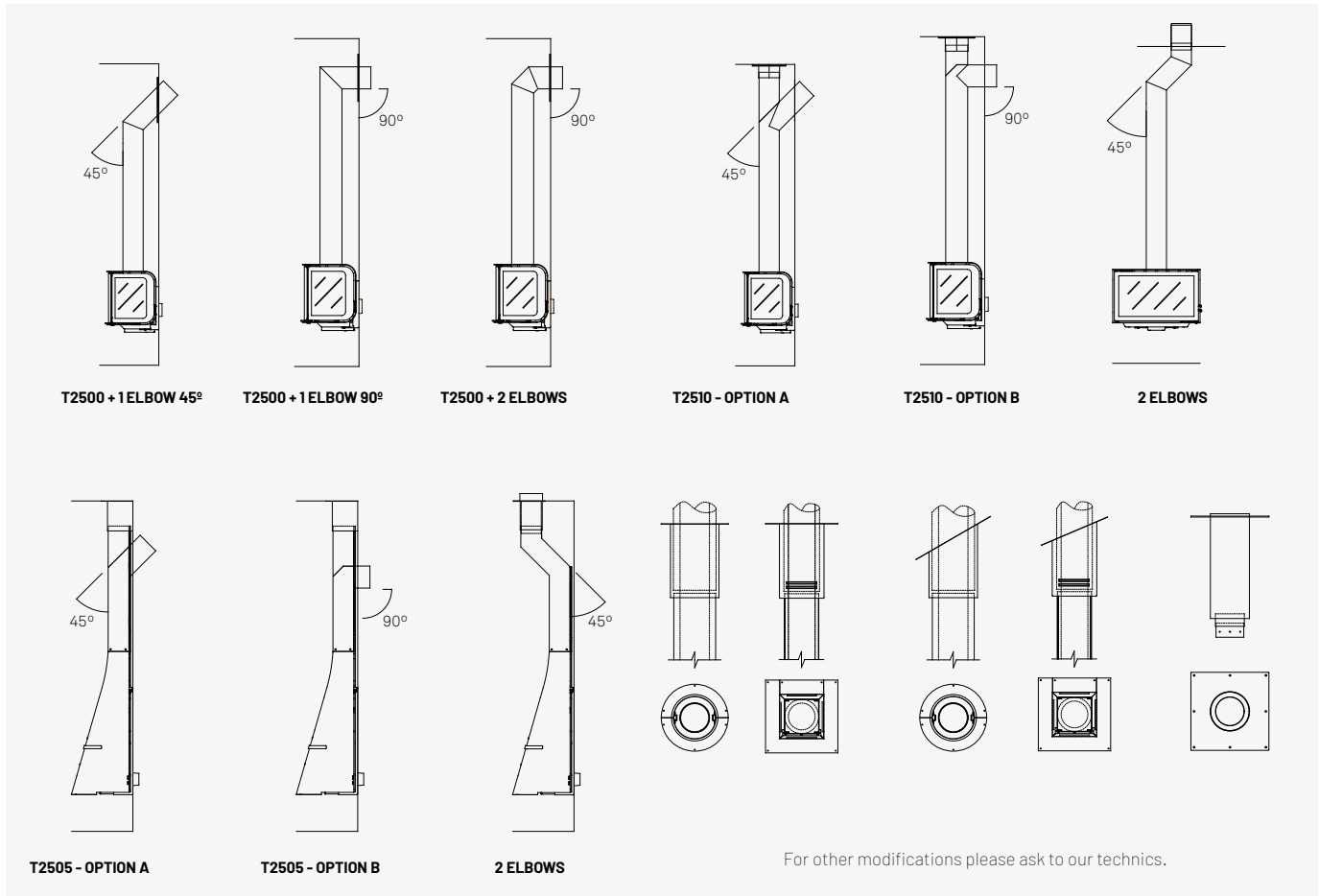
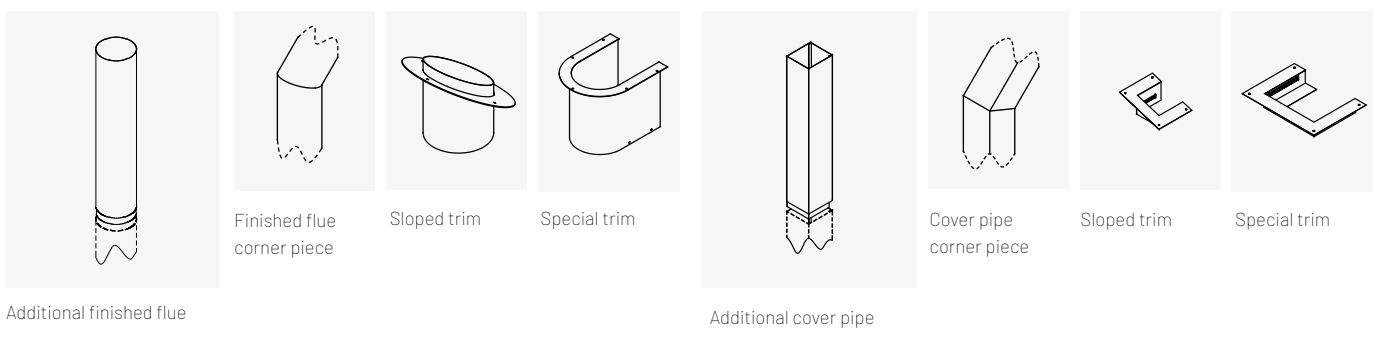
In all the models



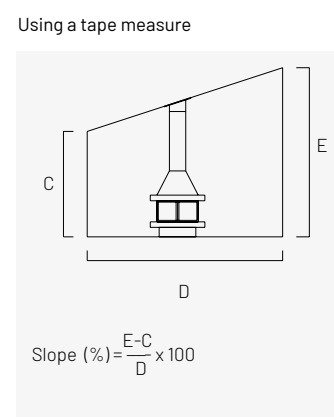
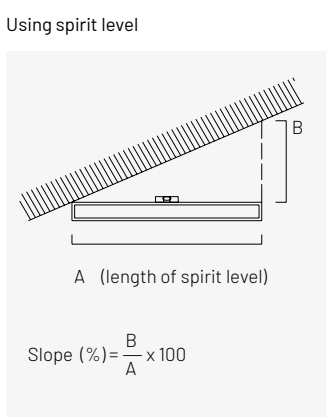
Refractory lining.

In Estela model

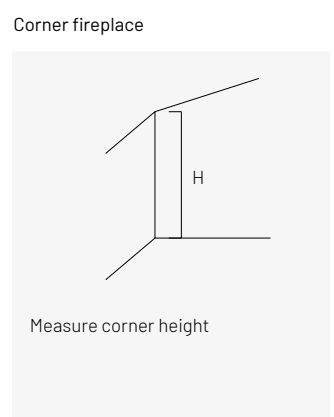
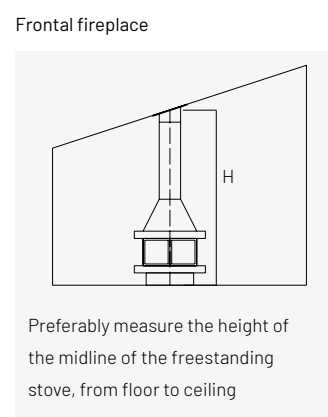
Custom adaptations



Measuring the pitch angle



Measuring the height



02.

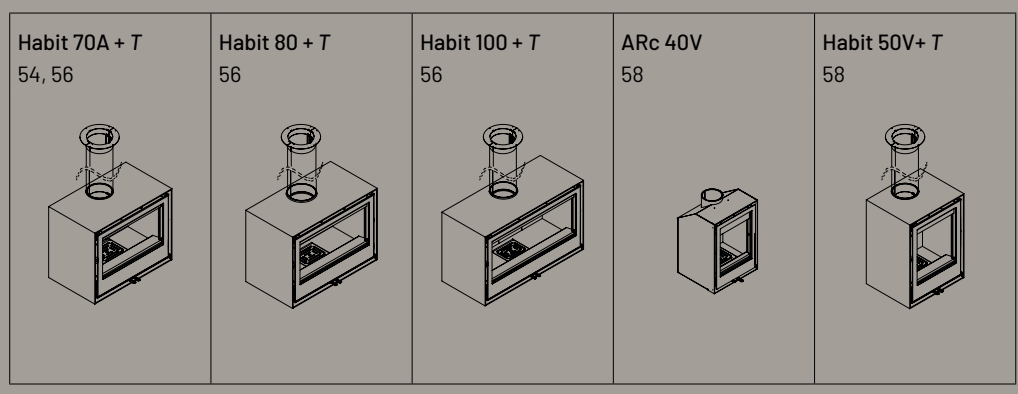
Freestanding stoves

With the Habit range you can personalise your stove as much as you want. From our basic designs, you can choose between different sizes, formats, fire windows and fans systems for maximum efficiency.

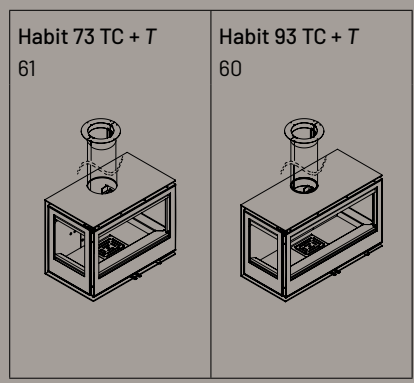
Also available with lower wood store, metal bench unit and wall-mounting version.

Also in this section, take a look at our Hebar model, a stove-oven-barbecue unit that's a heater and a cooker all in one.

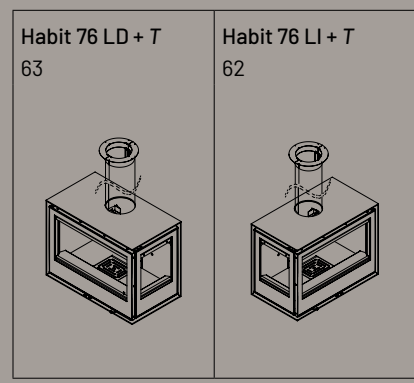
Frontal



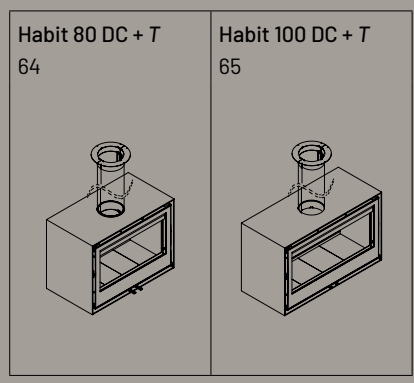
Three sided view



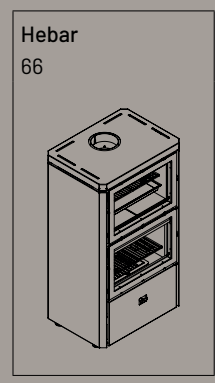
Lateral view



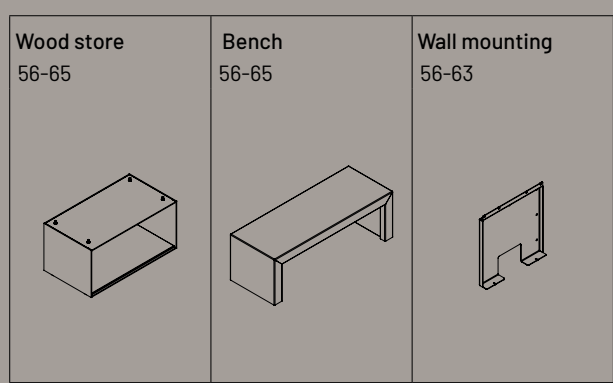
Double sided view



Stove-Oven-Barbecue



Optional items





HABIT 70 A + T With wood store



Habit +T

FEATURES

- Reversible front door.
- Steel combustion chamber.
- Vermiculite inner lining.
- Wraparound casing in 6 mm steel.
- Optional external air inlet.
- Preheated primary and secondary air.
- Tertiary or security air.
- Ash pan removal from the front.
- Double deflector, top deflector with two-position adjustable flow.
- Two or four fans unit with two automatic speed settings and one manual.

Can be supplied without fans unit on request.

More details: Page 110

OPTIONAL ITEMS



E2110-2 Wood store Habit 70 A +T (686x400x410 mm)

E2120-2 Wood store Habit 80 +T (780x400x430 mm)

E2130-2 Wood store Habit 100 +T (980x400x430 mm)



E2110-1 Wall mounting kit Habit 70 A +T

E2120-1 Wall mounting kit Habit 80 +T

E2130-1 Wall mounting kit Habit 100 +T



E2190 Bench unit 1000 mm (1000x400x450 mm)

E2192 Bench unit 1200 mm (1200x400x450 mm)

E2194 Bench unit 1400 mm (1400x400x450 mm)

E2196 Bench unit 1600 mm (1600x400x450 mm)

	Habit 70A +T E2110V2+T	Habit 80 +T E2120V2+T	Habit 100 +T E2130V2+T
η	85,30%	85,30%	85,6%
nom	8,8 kW	9 kW	12 kW
	6-10,5 kW	6,5-11,5 kW	7,5-13 kW
	0,062%	0,062%	0,09%
	22,9 mg/Nm ³	22,9 mg/Nm ³	18,10 mg/Nm ³
	2,37 kg/h	2,44 kg/h	3,19 kg/h
	160 kg	187 kg	221 kg
	45 cm	50 cm	60 cm
NOx	106 mg/Nm ³	106 mg/Nm ³	101 mg/Nm ³
OGC	51 mg/Nm ³	51 mg/Nm ³	59 mg/Nm ³
Safe Distance mm			
	UNE EN-13240 UNE EN-60335	UNE EN-13240 UNE EN-60335	UNE EN-13240 UNE EN-60335

A+

7*

4*

A+

7*

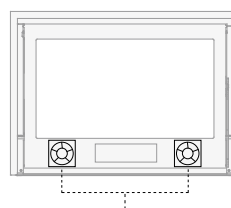
4*

A+

7*

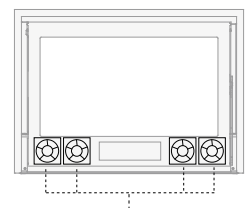
4*

Habit 70 A +T



2 fans unit with 2 automatic speed settings and 1 manual.

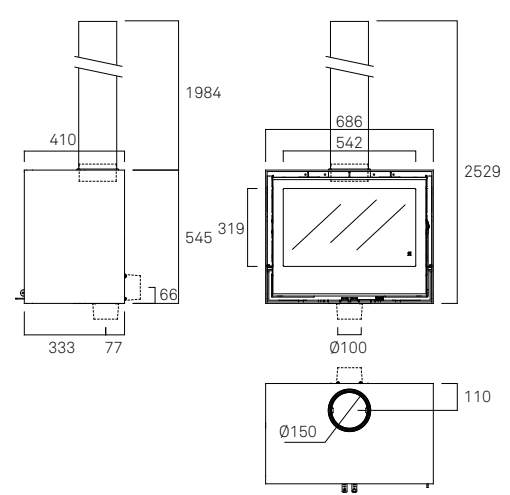
Habit 80 +T / Habit 100 +T



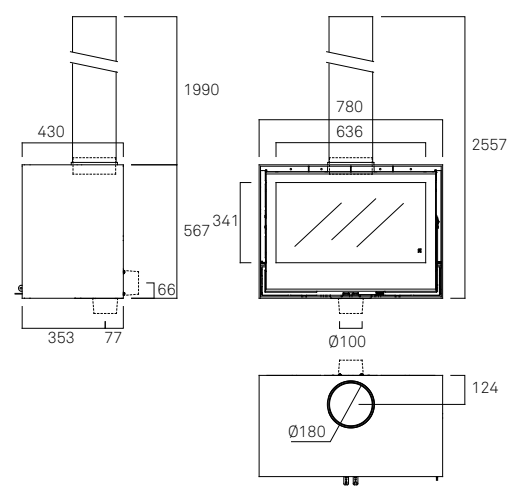
4 fans unit with 2 automatic speed settings and 1 manual.



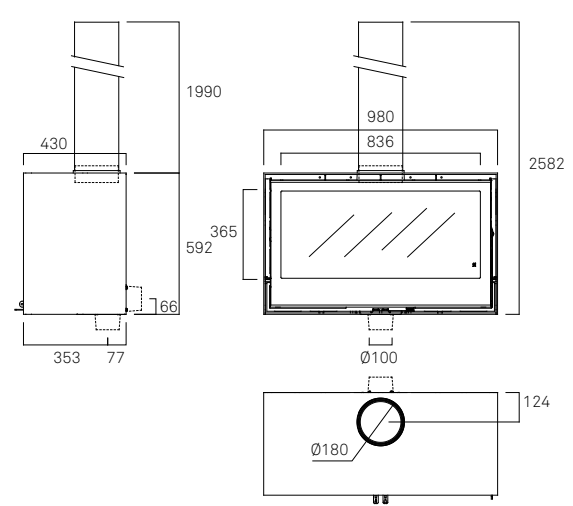
Habit 70 A +T



Habit 80 +T



Habit 100 +T





Arc 40 V



HABIT 50 V +T With wood store

Habit V +T

FEATURES

Reversible front door.
Steel combustion chamber.
Vermiculite inner lining.
Wraparound casing in 6 mm steel.
Optional external air inlet.
Preheated primary and secondary air.
Tertiary or security air.
Ash pan removal from the front.
Double deflector, top deflector with two-position adjustable flow.
Two fans unit with two automatic speed settings and one manual.
Except ARc 40V (without fans).

Can be supplied without fans unit on request.

More details: Page 110

	Arc 40 V M5974	Habit 50V +T E2100V2+T
	84,00%	86,30%
	4,5 kW	8,7 kW
	3-5,5 kW	5,5-9,5 kW
	0,10%	0,048%
	- mg/Nm ³	13 mg/Nm ³
	1,3 kg/h	2,3 kg/h
	75,6 kg	154 kg
	25 cm	33 cm
NOx	- mg/Nm ³	102,00 mg/Nm ³
OGC	- mg/Nm ³	51 mg/Nm ³
Safe Distance mm		

UNE EN-13240 UNE EN-13240
UNE EN-60335

A+

Model in the recertification process. Final data updated in www.rocal.es

A+

AEFECC 7*

Stelle ambientale 4*

CONTO TERMICO

ECODESIGN 2022

OPTIONAL ITEMS



E2100-2 Wood store Habit 50 V +T (511x400x410 mm)



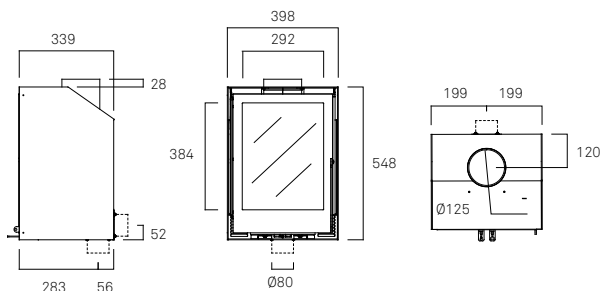
E2100-1 Wall mounting kit Habit 50 V +T



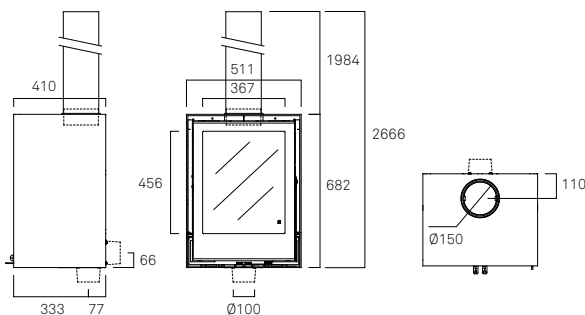
E2190 Bench unit 1000 mm (1000x400x450 mm)
E2192 Bench unit 1200 mm (1200x400x450 mm)
E2194 Bench unit 1400 mm (1400x400x450 mm)
E2196 Bench unit 1600 mm (1600x400x450 mm)



Arc 40 V



Habit 50 V +T





Habit TC +T

FEATURES

- Steel combustion chamber.
- Vermiculite inner lining.
- Wraparound casing in 6 mm steel.
- Optional external air inlet.
- Preheated primary and secondary air.
- Tertiary or safety air.
- Ash pan removal from front.
- Double deflector, top deflector with two-position adjustable flow.
- Two or four fans unit with two automatic speed settings and one manual.

Can be supplied without fans unit on request.

More details: Page 110

	Habit 73 TC +T E2140+T	Habit 93 TC +T E2145+T
η	85,01%	79,6%
η_{nom}	11,1 kW	12,4 kW
	7,5-13 kW	8,5-14,5 kW
CO	0,09%	0,085%
	38,76 mg/Nm ³	20,20 mg/Nm ³
	2,8 kg/h	3,56 kg/h
	175 kg	196 kg
	45 cm	60 cm
NOx	71,5 mg/Nm ³	126 mg/Nm ³
OGC	36,69 mg/Nm ³	48 mg/Nm ³
Safe Distance mm		

UNE EN-13229
UNE EN-60335

A+

AEFECC 7*

Stelle ambientale 3*

CONTO TERMICO

ECODESIGN 2022

A+

AEFECC 7*

Stelle ambientale 4*

ECODESIGN 2022

OPTIONAL ITEMS



E2140-2 Wood store Habit 73 TC +T
(730x400x430 mm)

E2145-2 Wood store Habit 93 TC +T
(930x400x430 mm)



E2120-1 Wall mounting kit Habit 73 TC +T

E2130-1 Wall mounting kit Habit 93 TC +T



E2190 Bench unit 1000 mm (1000x400x450 mm)

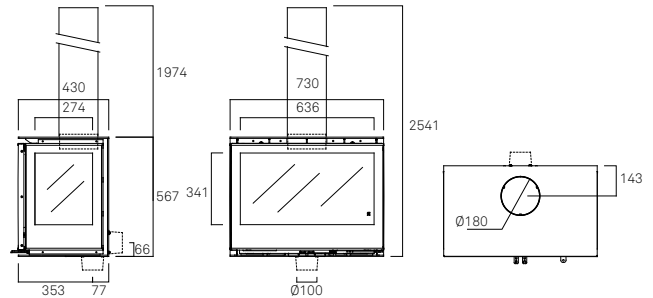
E2192 Bench unit 1200 mm (1200x400x450 mm)

E2194 Bench unit 1400 mm (1400x400x450 mm)

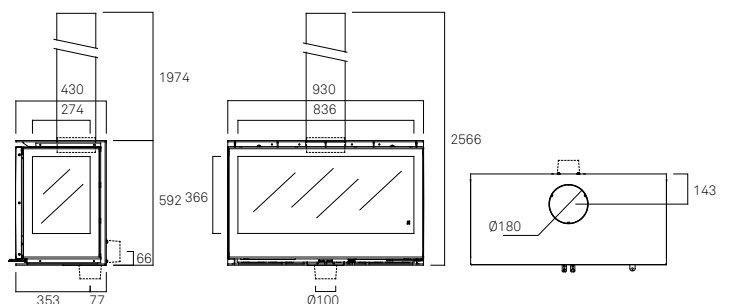
E2196 Bench unit 1600 mm (1600x400x450 mm)



Habit 73 TC +T



Habit 93 TC +T





Habit LD/LI +T

FEATURES

- Steel combustion chamber.
- Vermiculite inner lining.
- Wraparound casing in 6 mm steel.
- Optional external air inlet.
- Preheated primary and secondary air.
- Tertiary or safety air.
- Ash pan removal from front.
- Double deflector, top deflector with two-position adjustable flow.
- Two fans unit with two automatic speed settings and one manual.

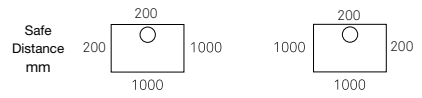
Can be supplied without fans unit on request.

More details: Page 110



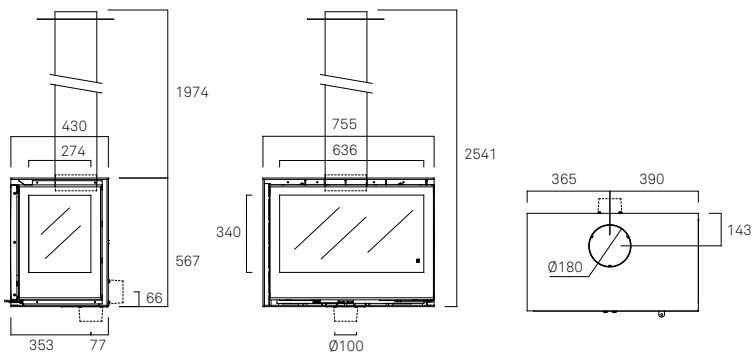
Habit 76 LD +T Habit 76 LI +T
E2150+T E2155+T

η	77,3%
\dot{m}_{nom}	9,4 kW
\dot{m}	6,5-11 kW
CO	0,08%
CO_2	16,4 mg/Nm ³
kg/h	2,8 kg/h
kg	176 kg
cm	40 cm
NOx	104 mg/Nm ³
OGC	66 mg/Nm ³

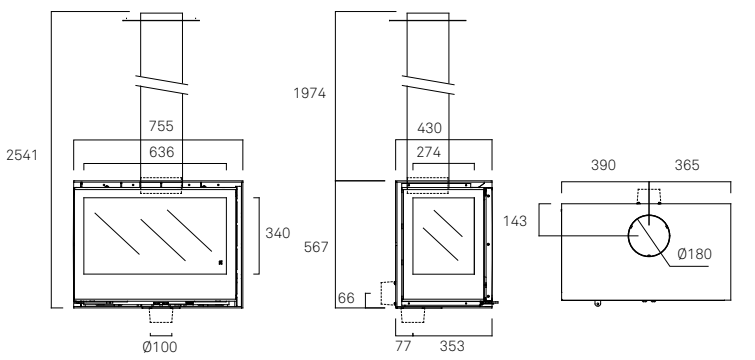


UNE EN-13240
UNE EN-60335

Habit 76 LD +T



Habit 76 LI +T



OPTIONAL ITEMS



E2150-2 Wood store 76 LD/LI +T
(755x400x430 mm)

It only allows the external air inlet through the connector on the back.



E2120-1 Wall mounting
kit Habit 76 LD/LI +T



E2190 Bench unit 1000 mm (1000x400x450 mm)
E2192 Bench unit 1200 mm (1200x400x450 mm)
E2194 Bench unit 1400 mm (1400x400x450 mm)
E2196 Bench unit 1600 mm (1600x400x450 mm)



Habit DC +T

FEATURES

Reversible doors.
Steel combustion chamber.
Vermiculite inner lining.
Wraparound casing in 6 mm steel.
Please ask about the option of external air inlet.

Preheated primary and secondary air.
Double deflector, lower deflector with two-position adjustable flow.
Steel-coated vermiculite base.

More details: Page 110

	Habit 80 DC +T E2170+T	Habit 100 DC +T E2175+T
η	85,7 %	75,90%
\dot{q}_{nom}	12,4 kW	13,4 kW
	8,5 - 14,5 kW	9-16 kW
	0,107%	0,101%
	34,00 mg/Nm ³	16,3 mg/Nm ³
	3,55 kg/h	4 kg/h
	193 kg	228 kg
	40 cm	60 cm
NOx	108,00 mg/Nm ³	102 mg/Nm ³
OGC	141,00 mg/Nm ³	81 mg/Nm ³
Safe Distance mm		

	UNE EN-13240	UNE EN-13240
	A+	A
	AEFECC 7*	AEFECC 7*
	Stelle ambientale 2*	Stelle ambientale 3*
	CONTO TERMICO	

OPTIONAL ITEMS



E2170-2 Wood store Habit 80 DC +T (785x400x440 mm)

E2175-2 Wood store Habit 100 DC +T (985x400x440 mm)



E2190 Bench unit 1000 mm (1000x400x450 mm)

E2192 Bench unit 1200 mm (1200x400x450 mm)

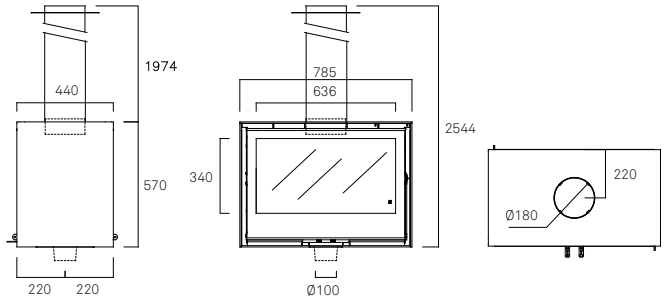
E2194 Bench unit 1400 mm (1400x400x450 mm)

E2196 Bench unit 1600 mm (1600x400x450 mm)

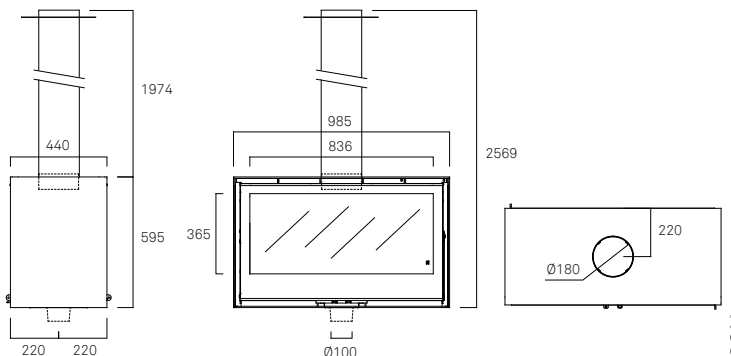


Habit 80 DC +T

Model in the recertification process. Final data updated in www.rocal.es



Habit 100 DC +T





Hebar

Hebar is one of the most complete and efficient products on the market and thanks to its high efficiency, it also has the ability to heat a large area. The same inertia of the stove keeps the heat for cooking in the oven until about 3 hours after the last loading.

STOVE FEATURES:

- Optional external air inlet.
- Preheated primary and secondary air.
- Tertiary or safety air.
- Front ash removal.
- Bottom hinged door allows depositing the grid and avoid soiling.

OVEN FEATURES:

- Vitrified steel Oven.
- Steel grill and vitrified steel plate.
- Capacity: 78 litres
- Thermometer included

BARBECUE FEATURES:

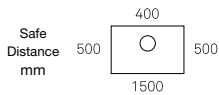
- Stainless steel grill

More details: Page 50-51

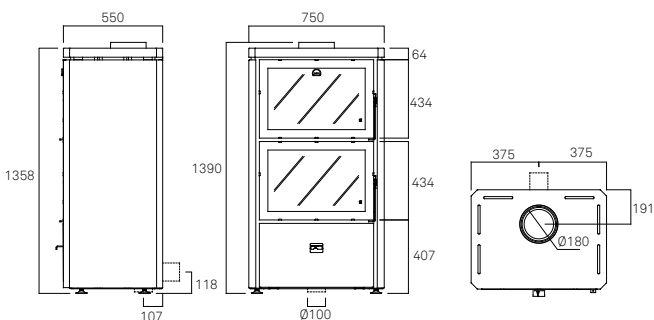
Hebar

E3000

	81,40%	
	12,21 kW	
	8,5-14,5 kW	
	0,11%	
	25,38 mg/Nm ³	
	3,4 kg/h	
	254 kg	
	45 cm	
NOx	64,48 mg/Nm ³	
OGC	76,17 mg/Nm ³	



UNE EN-13240



03.

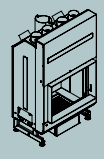
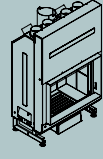
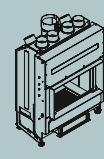
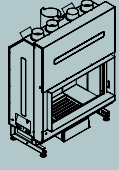
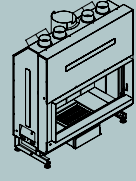
Fireboxes

G series

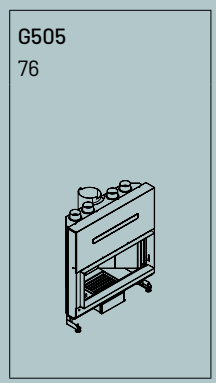
Our G series Built in inserts epitomise all of Rocal's values in a single product: efficiency, quality, design, comfort and safety.

The exclusive fireboxes in this series are a distinguishing feature in your home. They offer a complete view of the fire and can be finished with the cladding of your choice.

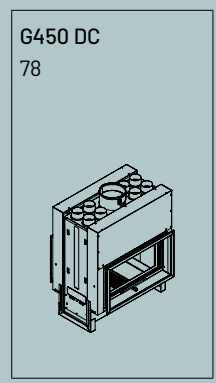
Frontal

<p>G300 G300 + Plus 72</p> 	<p>G350 G350 + Plus 72</p> 	<p>G425 G425 + Plus 74</p> 	<p>G450 G450 + Plus 70, 74</p> 	<p>G500 G500 + Plus 74</p> 
--	--	--	--	---

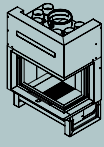
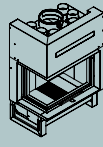
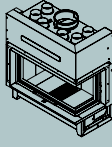
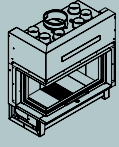
Corner



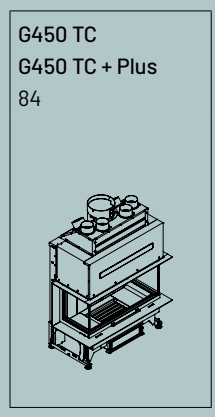
Double sided view



Lateral view

<p>G300 LD G300 LD + Plus 80</p> 	<p>G300 LI G300 LI + Plus 81</p> 	<p>G450 LD 82</p> 	<p>G450 LI 83</p> 
--	--	---	---

Three sided view



General features 86
 Optional items 87
 Fitting accessories 88-89





G300/350

G300/350 + Plus

FEATURES

Vertical sliding and drop-down door.
 Steel combustion chamber.
 Vermiculite inner lining with refractory base.
 Wraparound casing with optional hot air conduction.
 Optional external air intake.
 Preheated primary and secondary air.
 Tertiary or safety air.
 Ash pan removal from above or below.
 Double deflector: three-position superior deflector for adjustable flow.

OPTIONAL ITEMS

A 2082 ventilation unit
 4-cm frame.
 10-cm frame.

FITTING ACCESSORIES

Inlet/outlet diffuser vents.
 Diffuser vent with hinged inlet
 Wood store.

More details: Pages 86 - 89

	G300 M1810	G300 M1810 +Plus 180 C4060	G350 M1820	G350 M1820 +Plus 200 C4070
	81 %	87,90 %	78%	85,10 %
 nom	11,5 kW	10,6 kW	13 kW	11,7 kW
	7 - 13 kW	7 - 13 kW	8 - 15 kW	8 - 15 kW
	0,08%	0,041%	0,10%	0,082%
	20,47 mg/Nm ³	16,6 mg/Nm ³	28,82 mg/Nm ³	20 mg/Nm ³
	3,15 kg/h	2,7 kg/h	3,5 kg/h	3,1 kg/h
	232 kg	250 kg	267 kg	290 kg
	45 cm	45 cm	50 cm	50 cm
NOx	74,22 mg/Nm ³	95 mg/Nm ³	74,22 mg/Nm ³	104 mg/Nm ³
OGC	30,29 mg/Nm ³	34,7 mg/Nm ³	56,96 mg/Nm ³	49 mg/Nm ³
Safe Distance mm				
	UNE EN-13229	UNE EN-13229	UNE EN-13229	UNE EN-13229

A+

AEFECC 7*

**Stelle
ambientale 4***

**ECODESIGN
2022**

A+

AEFECC 7*

**Stelle
ambientale 5***

**CONTO
TERMICO**

**ECODESIGN
2022**

A

AEFECC 7*

**Stelle
ambientale 4***

**ECODESIGN
2022**

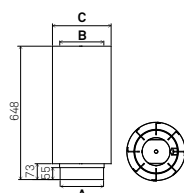
A+

AEFECC 7*

**Stelle
ambientale 4***

**CONTO
TERMICO**

**ECODESIGN
2022**



**+Plus
180**
A Ø180
B Ø185
C Ø257

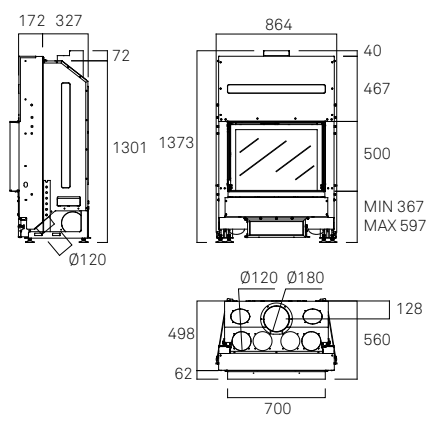
**+Plus
200**
A Ø200
B Ø205
C Ø271

+Plus

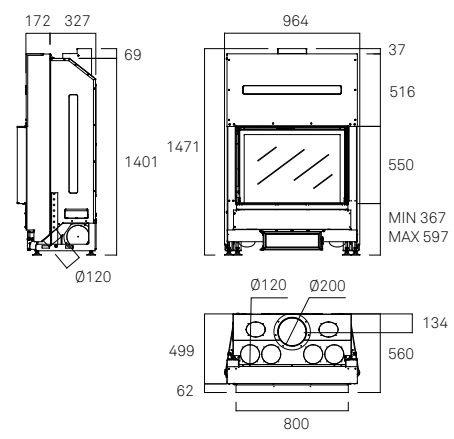


Ash pan removal from below.

G300



G350



G425/450/500

G425/450/500 + plus

FEATURES

Vertical sliding and drop-down door.
 Steel combustion chamber.
 Vermiculite inner lining with refractory base.
 Wraparound casing with optional hot air conduction.
 Optional external air intake.
 Preheated primary and secondary air.
 Tertiary or safety air.
 Ash pan removal from above or below.
 Double deflector: three-position superior deflector for adjustable flow.

OPTIONAL ITEMS

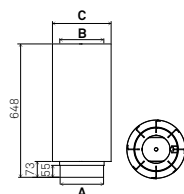
A 2082 ventilation unit
 4-cm frame.
 10-cm frame.

FITTING ACCESSORIES

Inlet/outlet diffuser vents.
 Diffuser vent with hinged inlet
 Wood store.

More details: Pages 86 - 89

	G425 M1835	G425 M1835 +Plus 180 C4060	G450 M1840	G450 M1840 +Plus 200 C4070	G500 M1850	G500 M1850 +Plus 250 C4080
η	78%	85,10 %	78%	85,10 %	78%	85,10 %
nom	13 kW	11,7 kW	15 kW	13,5 kW	16 kW	14,4 kW
	8 - 15 kW	8 - 15 kW	10 - 17 kW	10 - 17 kW	10 - 18 kW	10 - 18 kW
	0,10 %	0,082%	0,10 %	0,082%	0,10 %	0,082%
	28,82 mg/Nm ³	20 mg/Nm ³	28,82 mg/Nm ³	20 mg/Nm ³	28,82 mg/Nm ³	20 mg/Nm ³
	3,5 kg/h	3,1 kg/h	4,2 kg/h	3,6 kg/h	4,4 kg/h	3,8 kg/h
	240 kg	258 kg	254 kg	277 kg	306 kg	333 kg
	50 cm	50 cm	55 cm	55 cm	65 cm	65 cm
NOx	74,22 mg/Nm ³	104 mg/Nm ³	74,22 mg/Nm ³	104 mg/Nm ³	74,22 mg/Nm ³	104 mg/Nm ³
OGC	56,96 mg/Nm ³	49 mg/Nm ³	56,96 mg/Nm ³	49 mg/Nm ³	56,96 mg/Nm ³	49 mg/Nm ³
Safe Distance mm						
	UNE EN-13229	UNE EN-13229	UNE EN-13229	UNE EN-13229	UNE EN-13229	UNE EN-13229



	+Plus 180	+Plus 200	+Plus 250
A	Ø 180	Ø 200	Ø 250
B	Ø 185	Ø 205	Ø 255
C	Ø 257	Ø 271	Ø 321

+Plus

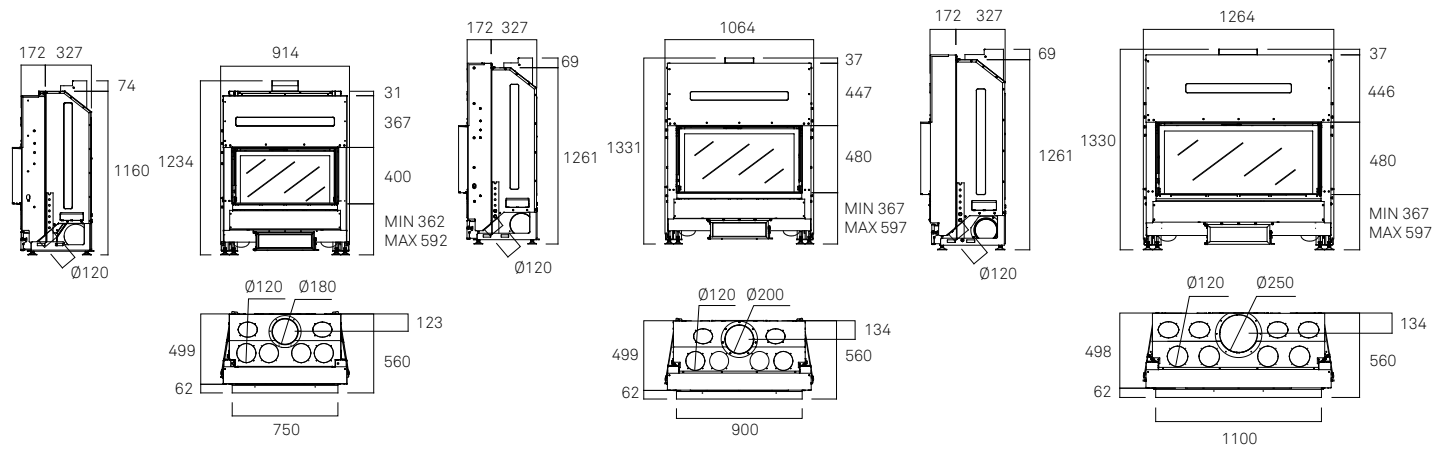


Ash pan removal from below.

G425

G450

G500





G505

FEATURES

- Corner.
- Vertical sliding and drop-down door.
- Steel combustion chamber.
- Vermiculite inner lining with refractory base.
- Wraparound casing with optional hot air conduction.
- Optional external air intake.
- Preheated primary and secondary air.
- Tertiary or safety air.
- Ash pan removal from above or below.
- Double deflector: three-position superior deflector for adjustable flow.

OPTIONAL ITEMS

- A 2082** ventilation unit
- 4-cm frame.
- 10-cm frame.

FITTING ACCESSORIES

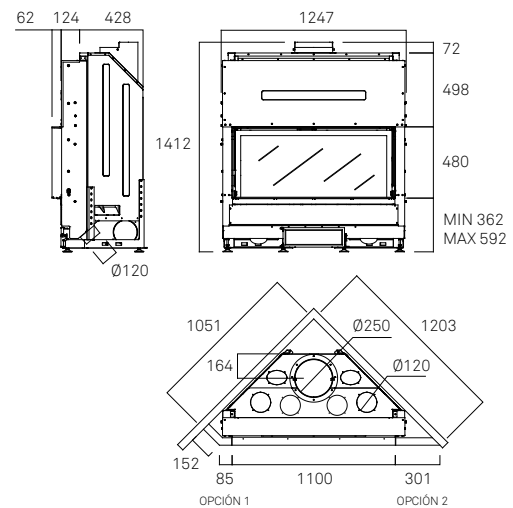
- Inlet/outlet diffuser vents.
- Diffuser vent with hinged inlet
- Wood store.

Pages 86 - 89

	G505	M1855
η	85,40%	
\dot{q}_{nom}	12,9 kW	
\dot{q}_{max}	8 - 15 kW	
CO_2	0,090%	
PM_{10}	11,71 mg/Nm ³	
kg/h	3,75 kg/h	
kg	342 kg	
cm	50 cm	
NOx	70,44 mg/Nm ³	
OGC	53,55 mg/Nm ³	
Safe Distance mm	350	220 350 1000
	UNE EN-13229	



G505





G450 DC

FEATURES

Double-sided fireplace, one side with a sliding and drop-down door, and the other side with a drop-down door for cleaning the glass.
 Steel combustion chamber.
 Vermiculite inner lining and refractory base.
 Wraparound casing with optional hot air conduction.
 Optional external air intake.
 Preheated primary and secondary air.
 Tertiary air.
 Ash pan removal from above or below.
 Three deflectors, two of which are fixed, while the third is adjustable depending on the decompression of the duct.
 It cannot be used with the forced ventilation unit.

OPTIONAL ITEMS

4-cm frame.
 10-cm frame.

FITTING ACCESSORIES

Inlet/outlet diffuser vents.
 Diffuser vent with hinged inlet
 Wood store.

Pages 86 - 89

G450 DC

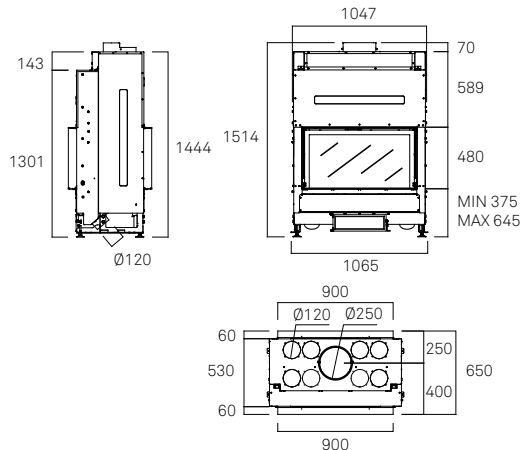
M1841

	82,00%	
	14,8 kW	
	10 - 17,5 kW	
	0,120%	
	28,47 mg/Nm ³	
	4,05 kg/h	
	323 kg	
	55 cm	
	91,11 mg/Nm ³	
	71,88 mg/Nm ³	
	Safe Distance mm	

UNE EN-13229



G450 DC





G300 LD with optional frame 4-cm

G300 LD/LI

G300 LD/LI + plus

FEATURES

- Side-opening sliding door with two panels (to more easily clean the glass).
- Steel combustion chamber.
- Vermiculite inner lining and refractory base.
- Wraparound casing with optional hot air conduction.
- Primary and secondary combustion air.
- Ash pan removal from above or below.
- Optional external air intake.
- Preheated primary and secondary air.
- Tertiary and/or back-up air.
- Double deflector: three-position superior deflector for adjustable flow.

OPTIONAL ITEMS

- A 2082** ventilation unit.
- 4-cm frame.

FITTING ACCESSORIES

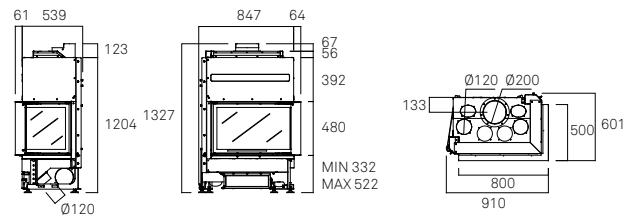
- Inlet/outlet diffuser vents.
- Wood store.
- Diffuser vent with hinged inlet

More details: Pages 86 - 89

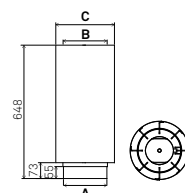
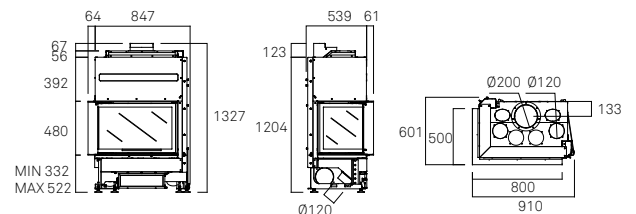
	G300 LD M1812	G300 LI M1813	G300 LD M1812 +Plus 200 C4070	G300 LI M1813 +Plus 200 C4070
	86,98%		86,83%	
	14,4 kW		14,3 kW	
	10 - 17 kW		10 - 17 kW	
	0,08 %		0,08 %	
	31,15 mg/Nm ³		19,76 mg/Nm ³	
	3,77 kg/h		3,38 kg/h	
	306 kg		329 kg	
	45 cm		45 cm	
NOx	35,78 mg/Nm ³		51,22 mg/Nm ³	
OGC	49,36 mg/Nm ³		52,05 mg/Nm ³	
Safe Distance mm				
	UNE EN-13229		UNE EN-13229	



G300 LD



G300 LI



**+Plus
200**

- A** Ø200
- B** Ø205
- C** Ø271



G450 LD/LI

FEATURES

- Side-opening sliding door with two panels (to more easily clean the glass).
- Steel combustion chamber.
- Vermiculite inner lining and refractory base.
- Wraparound casing with optional hot air conduction.
- Primary and secondary combustion air.
- Ash pan removal from above or below.
- Optional external air intake.
- Preheated primary and secondary air.
- Tertiary and/or back-up air.
- Double deflector: three-position superior deflector for adjustable flow.

OPTIONAL ITEMS

- A2082** ventilation unit.
- 4-cm frame.

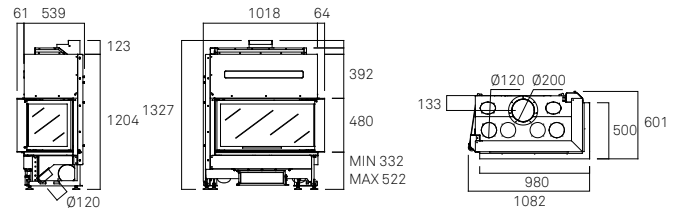
FITTING ACCESSORIES

- Inlet/outlet diffuser vents.
- Wood store.
- Diffuser vent with hinged inlet

More details: Pages 86 - 89



G450 LD



G450 LD M1842 G450 LI M1843

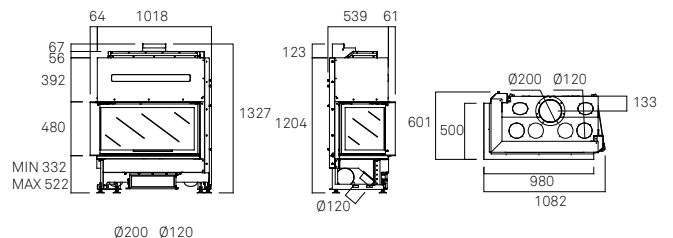
	75 %
	14,68 kW
	10-17,5 kW
	0,08%
	40 mg/Nm ³
	4,1 kg/h
	345 kg
	55 cm
NO _x	106,25 mg/Nm ³
OGC	51,61 mg/Nm ³
Safe Distance mm	



UNE EN-13229



G450 LI





G450 TC + plus

FEATURES

Side-opening sliding door with opening of the side glasses, the front glass is fixed (to more easily clean the glass).
 Steel combustion chamber.
 Vermiculite inner lining and refractory base.
 Wraparound casing with optional hot air conduction.
 Primary and secondary combustion air.
 Ash pan removal from above or below.
 Optional external air intake.
 Preheated primary and secondary air.
 Tertiary and/or back-up air.
 Double deflector: three-position superior deflector for adjustable flow.

OPTIONAL ITEMS

A 2082 ventilation unit.
 4-cm frame.

FITTING ACCESSORIES

Inlet/outlet diffuser vents.
 Wood store.
 Diffuser vent with hinged inlet

More details: Pages 86 - 89

	G450 TC M1870	G450 TC M1870 +Plus 250 C4080
η	82%	85,4%
\dot{q}_{nom}	16.3 kW	16.5 kW
\dot{q}_{min}	11 - 19.5 kW	11 - 19.5 kW
CO	0.085 %	0.076 %
\dot{m}_{CO}	17,6 mg/Nm ³	17,1 mg/Nm ³
\dot{m}_{ash}	4,49 kg/h	4,36 kg/h
m_{total}	319 kg	346 kg
h_{total}	55 cm	55 cm
NOx	101 mg/Nm ³	101 mg/Nm ³
OGC	59 mg/Nm ³	52 mg/Nm ³
Safe Distance mm	900  900	900  900
	UNE EN-13229	UNE EN-13229

A+

AEFECC 7*

Stelle ambientale 4*

ECODESIGN 2022

A+

AEFECC 7*

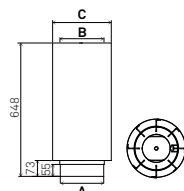
Stelle ambientale 4*

CONTO TERMICO

ECODESIGN 2022



+Plus

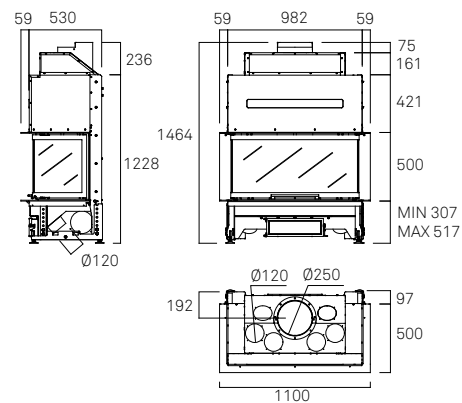


+Plus 250

\varnothing 250
 \varnothing 255
 \varnothing 321



G450 TC



General features



Vermiculite inner lining and refractory base.



Adjustable, levelling stand.

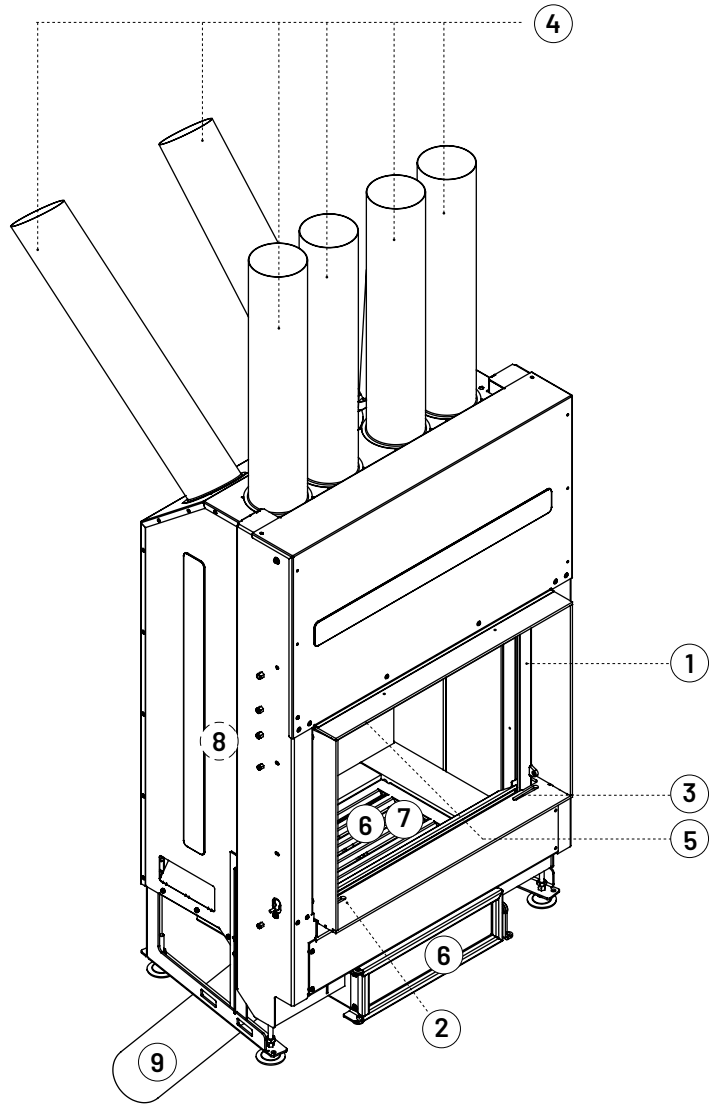
①



Sliding and drop down door (for glass cleaning).

For the G300LI / LI or G450LD / LI model, both doors open

On the TC model, only the side doors are opened, the front one remains fixed.



②



Primary control.
Mechanism that provides oxygen for combustion through the fire grille.

④



Wraparound casing with optional hot air conduction.
Conducts the hot air to the room itself or other rooms in the house.

⑦



Ash pan removal from above.

③



Secondary control.
Mechanism that provides oxygen for combustion, by means of double combustion and the upper part of the glass.

⑤



Tertiary or safety air. Makes an extra contribution of oxygen that enables the combustion gases to burn better.

⑧



Steel combustion chamber.
The high robustness of the combustion chamber ensures the long life of these devices.



Air inlet for the fan to duct (right or left)

⑥



Ash pan removal from above or below.

⑨



External air inlet.
Guarantees that the air in the house is healthier. Does not interfere with domestic air extraction devices, such as those in the kitchen and bathroom.

Optional items

VENTILATION KITS:

Ventilation kits increase the performance of the device and, when hot air is channelled, they distribute the air better to other parts of the house.



A2082 Ventilation kit with a 680 m³/h tangential turbine. Thermostat and flow regulator with speed settings. (For all models except G450DC)

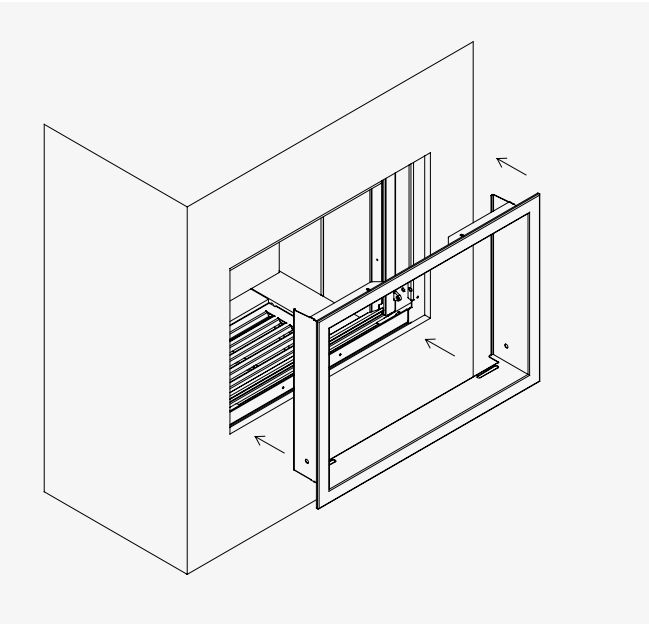


+Plus

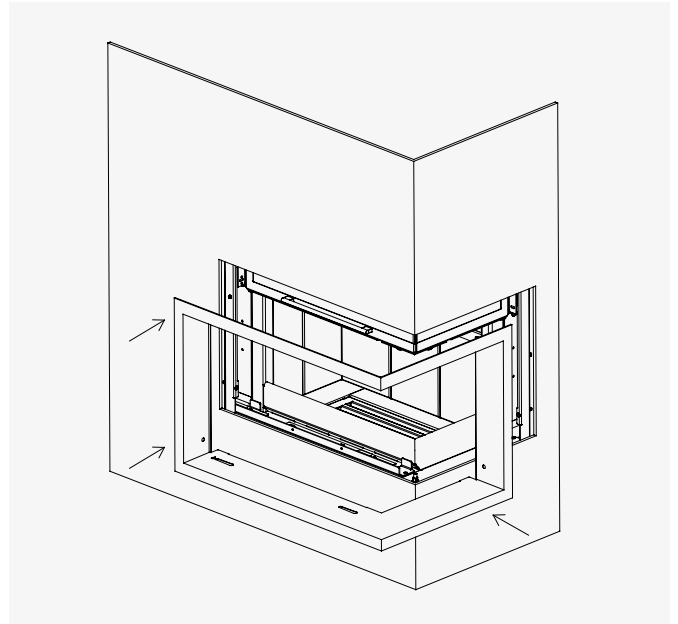
Twinwall pipe for gas cooling. This supplement increases the performance and efficiency of the product, in addition, decreases the particles, NOX and OGC.

DECORATIVE FRAME 4cm and 10cm:

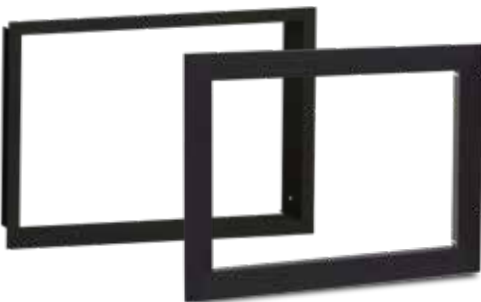
Option to finish the final appearance of the insert by adding a frame.



4-cm frame (optional).
10-cm frame (optional)



4-cm frame (optional)
G300 LD/ LI, G450 LD/ LI.



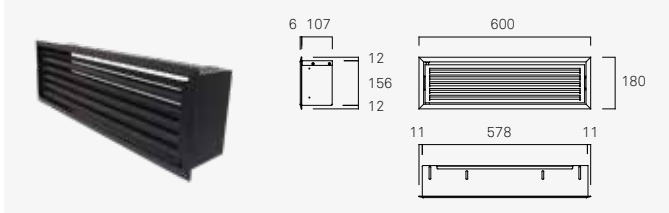
Fitting accessories

Our range of fitting accessories makes home installation easier and helps you achieve the right look.

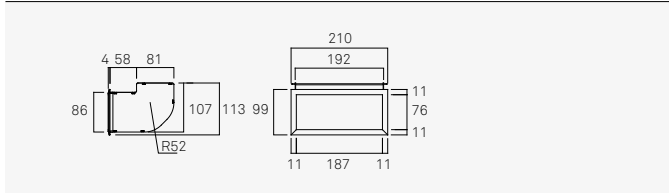
DIFFUSER VENTS

With the aim of providing solutions when inserts and fireplaces are fitted in completed buildings, we have created a range of diffuser vents that ensure proper convection-air inlet and outlet, i.e. the proper venting of the hearth, and help to integrate these components, which can be difficult to add..

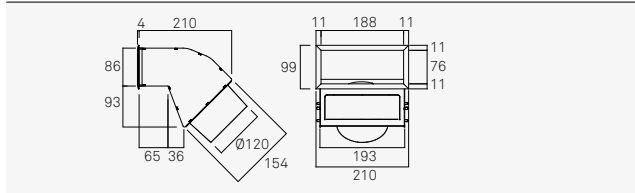
C4000 Diffuser vent with hinged inlet



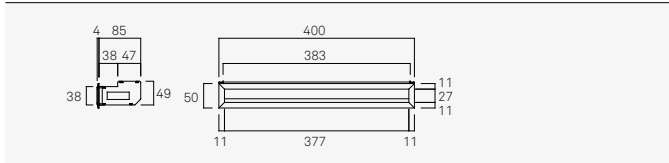
D0000 Single air inlet diffuser vent



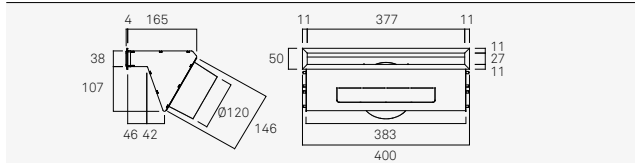
D1000 Single air outlet diffuser vent



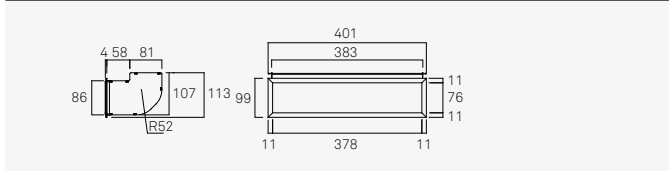
D0002 Single air inlet diffuser vent



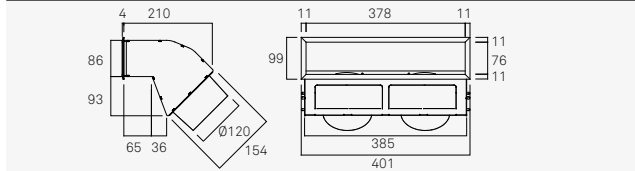
D1002 Single air outlet diffuser vent



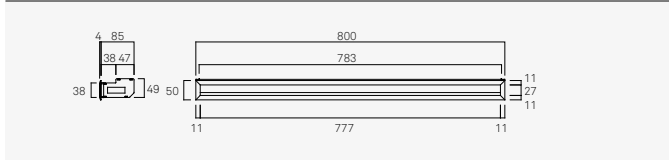
D0005 Double air inlet diffuser vent



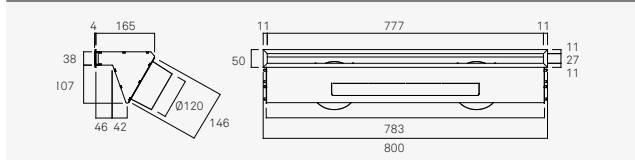
D1005 Double air outlet diffuser vent



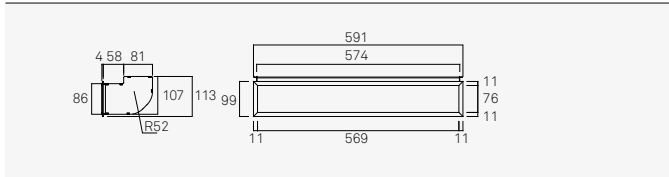
D0007 Double air inlet diffuser vent



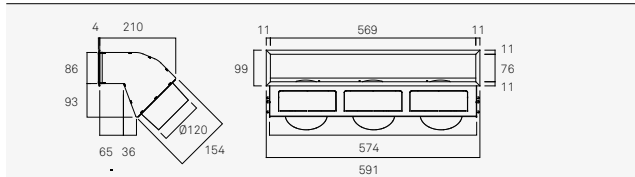
D1007 Single air outlet diffuser vent



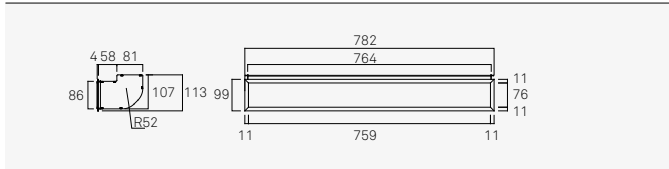
D0010 Triple air inlet diffuser vent



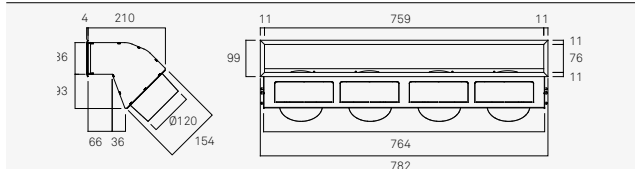
D1010 Triple air outlet diffuser vent



D0015 Quadruple air inlet diffuser vent



D1015 Quadruple air outlet diffuser vent



LOG STORE

An ideal space for storing logs.

Cut-outs for three shelves and light in upper section.

Optional items

C1000 Steel black shelf



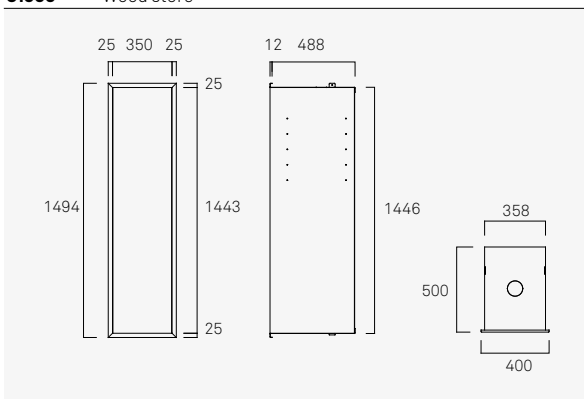
Outlet diffuser vent

Inlet diffuser vent



Wood store

C1000 Wood store



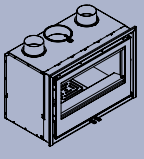
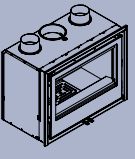
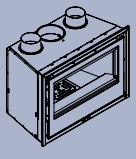
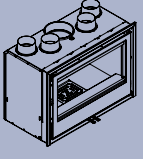
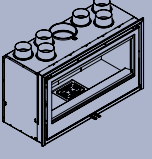
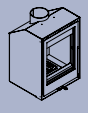
04.

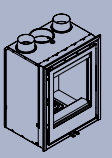
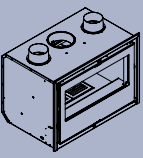
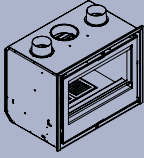
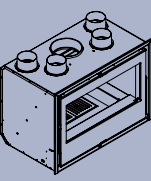
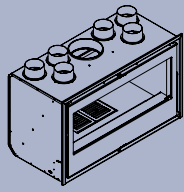
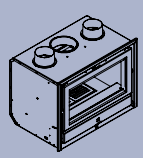
Inserts

Inserts act as heat recoverers. They are designed to be inserted in existing or new built fireplaces, achieving excellent efficiency and output.

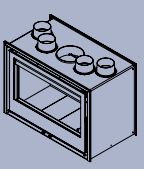
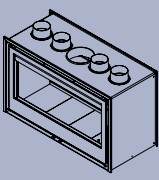
Thanks to their forced fans system, air circulates in a way that optimises heat distribution, thus reaching an ideal temperature and covering a larger area.

Frontal

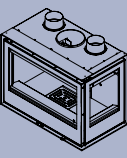
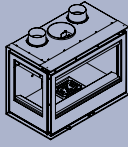
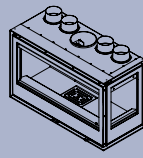
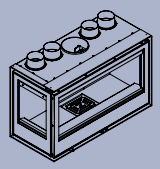
<p>ARc 70 ARc 70 + Plus 94</p> 	<p>ARc 70 A ARc 70 A + Plus 92, 94</p> 	<p>ARc 70 C ARc 70 C + Plus 94</p> 	<p>ARc 80 ARc 80 + Plus 94</p> 	<p>ARc 100 ARc 100 + Plus 94</p> 	<p>ARc 40 V 96</p> 
--	--	--	--	---	--

<p>ARc 50 V ARc 50 V + Plus 98</p> 	<p>RCr 70 graffiti 114</p> 	<p>RCr 70 A graffiti 114</p> 	<p>RCr 80 graffiti 114</p> 	<p>RCr 100 graffiti 112, 114</p> 	<p>RCr 65 classic 116</p> 
--	--	--	--	---	---

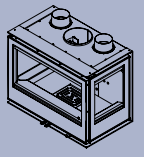
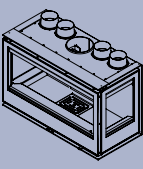
Double sided view

<p>ARc 80 DC ARc 80 DC + Plus 100</p> 	<p>ARc 100 DC ARc 100 DC + Plus 101</p> 
---	---

Lateral view

<p>ARc 76 LD ARc 76 LD + Plus 102, 104</p> 	<p>ARc 76 LI ARc 76 LI + Plus 104</p> 	<p>ARc 96 LD 104</p> 	<p>ARc 96 LI 104</p> 
--	--	--	--

Three sided view

<p>ARc 73 TC ARc 73 TC + Plus 106</p> 	<p>ARc 93 TC ARc 93 TC + Plus 108</p> 
---	---

General features	110, 118
Optional items	111, 119
Fitting accessories	121





ARc

ARc + plus

FEATURES

- Reversible front door.
- Steel combustion chamber.
- Vermiculite inner lining.
- Wraparound casing with optional hot air conduction.
- Segregated hot air direction control: right and left for outlet from front or above.
- Optional external air inlet.
- Preheated primary and secondary air.
- Tertiary or safety air.
- Ash pan removal from front.
- Double deflector, top deflector with two-position adjustable flow.
- Two or four fans unit with two automatic speed settings and one manual.

OPTIONAL ITEMS

- Adapter for standard four-sided frame.
- Decorative frame 10 cm.
- Fans speed controller.
- Adjustable, levelling stand.
- +Plus.

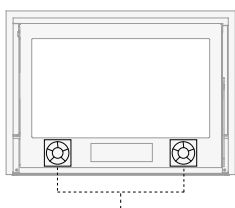
FITTING ACCESSORIES

- Inlet/outlet diffusers.
- Wood store.

More details: Pages 110 - 111 / 120 - 121

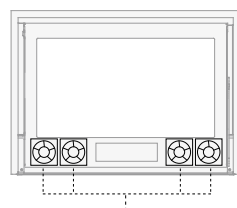
	ARc 70 M5911V2	ARc 70 M5911V2 +Plus 150 C4050	ARc 70 A M5916V2	ARc 70 A M5916V2 +Plus 150 C4050	ARc 70 C M5921V2	ARc 70 C M5921V2 +Plus 150 C4050	ARc 80 M5931V2	ARc 80 M5931V2 +Plus 180 C4060	ARc 100 M5941V2	ARc 100 M5941V2 +Plus 180 C4060
η	77%	85,30%	77%	85,30%	77%	85,30%	77%	85,30%	78,6 %	85,6 %
nom	9,1 kW	8,8 kW	9,1 kW	8,8 kW	9,1 kW	8,8 kW	10 kW	9 kW	11 kW	12 kW
flame	6-10,5kW	6-10,5 kW	6-10,5 kW	6-10,5 kW	6-10,5 kW	6-10,5 kW	6,5-11,5 kW	6,5-11,5 kW	7,5-13 kW	7,5 - 13 kW
CO	0,099%	0,062%	0,099%	0,062%	0,099%	0,062%	0,099%	0,062%	0,091%	0,09%
particulates	24 mg/Nm ³	22,9 mg/Nm ³	24 mg/Nm ³	22,9 mg/Nm ³	24 mg/Nm ³	22,9 mg/Nm ³	24 mg/Nm ³	22,9 mg/Nm ³	12 mg/Nm ³	18,10 mg/Nm ³
kg/h	2,66 kg/h	2,37 kg/h	2,66 kg/h	2,37 kg/h	2,66 kg/h	2,37 kg/h	2,8 kg/h	2,44 kg/h	3,18 kg/h	3,19 kg/h
kg	97 kg	112,8 kg	103 kg	118,8 kg	92 kg	107,8 kg	121 kg	138,9 kg	143 kg	160,9 kg
cm	45 cm	45 cm	45 cm	45 cm	45 cm	45 cm	50 cm	50 cm	60 cm	60 cm
NOx	91,38 mg/Nm ³	106 mg/Nm ³	91,38 mg/Nm ³	106 mg/Nm ³	91,38 mg/Nm ³	106 mg/Nm ³	107 mg/Nm ³	106 mg/Nm ³	107 mg/Nm ³	101 mg/Nm ³
OGC	49,26 mg/Nm ³	51 mg/Nm ³	49,26 mg/Nm ³	51 mg/Nm ³	49,26 mg/Nm ³	51 mg/Nm ³	66 mg/Nm ³	51 mg/Nm ³	66 mg/Nm ³	59 mg/Nm ³
Safe Distance mm										
UNE EN-13229 UNE EN-60335	UNE EN-13229 UNE EN-60335		UNE EN-13229 UNE EN-60335		UNE EN-13229 UNE EN-60335		UNE EN-13229 UNE EN-60335		UNE EN-13229 UNE EN-60335	
A	A+	A	A+	A	A+	A	A+	A	A+	A+
AEFECC 7*	AEFECC 7*	AEFECC 7*	AEFECC 7*	AEFECC 7*	AEFECC 7*	AEFECC 7*	AEFECC 7*	AEFECC 7*	AEFECC 7*	AEFECC 7*
Stelle ambientale 4*	Stelle ambientale 4*	Stelle ambientale 4*	Stelle ambientale 4*	Stelle ambientale 4*	Stelle ambientale 4*	Stelle ambientale 4*	Stelle ambientale 4*	Stelle ambientale 4*	Stelle ambientale 4*	Stelle ambientale 4*
ECODESIGN 2022	CONTO TERMICO	ECODESIGN 2022	CONTO TERMICO	ECODESIGN 2022	CONTO TERMICO	ECODESIGN 2022	CONTO TERMICO	ECODESIGN 2022	CONTO TERMICO	ECODESIGN 2022

ARc 70 / ARc 70A / ARc 70 C



2 fans unit
with 2 automatic speed
settings
and 1 manual.

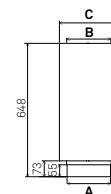
ARc 80 / ARc 100



4 fans unit
with 2 automatic speed
settings and 1 manual.

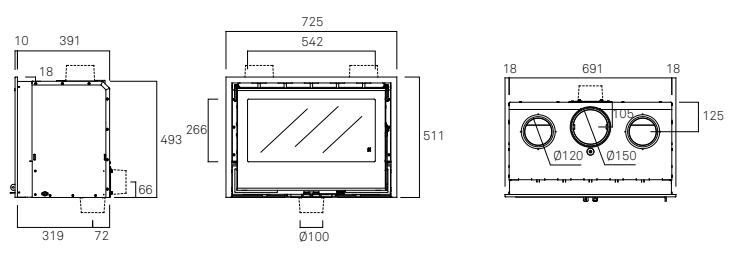


+Plus

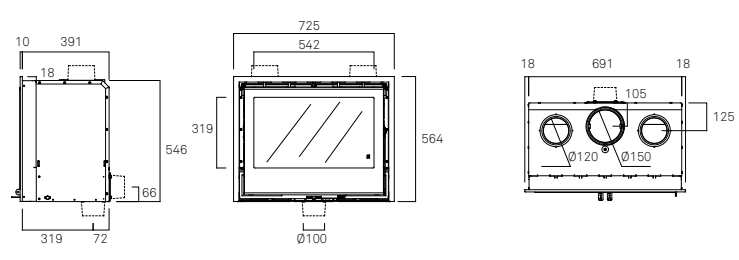


	+Plus 150	+Plus 180
A	Ø150	Ø180
B	Ø155	Ø185
C	Ø223	Ø257

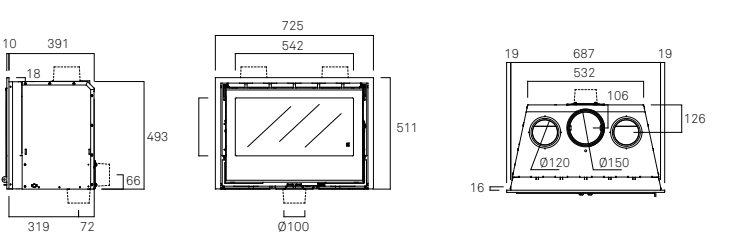
ARc 70



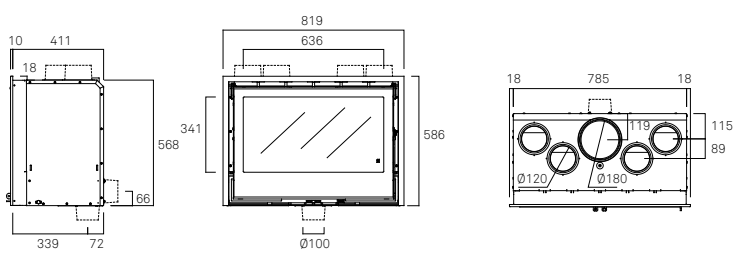
ARc 70 A



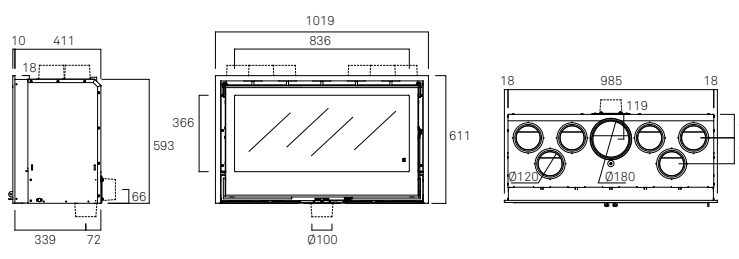
ARc 70 C



ARc 80



ARc 100







ARc 40V

FEATURES

- Reversible front door.
- Steel combustion chamber.
- Vermiculite inner lining.
- Wraparound casing in 6 mm steel.
- Optional external air inlet.
- Preheated primary and secondary air.
- Tertiary or security air.
- Ash pan removal from the front.
- Triple deflector, the lower adjustable.

OPTIONAL ITEMS

- 3-sided 2.5 cm frame with adaptor for 4 sides.

FITTING ACCESSORIES

- Inlet/outlet diffusers.
- Wood store.

Pages 110 - 111 / 120 - 121

ARc 40V

M5974

	84 %
	4,5 kW
	3-5,5 kW
	0,10%
	- mg/Nm ³
	1,3 kg/h
	75,6 kg
	25 cm
NOx	- mg/Nm ³
OGC	- mg/Nm ³
Safe Distance mm	

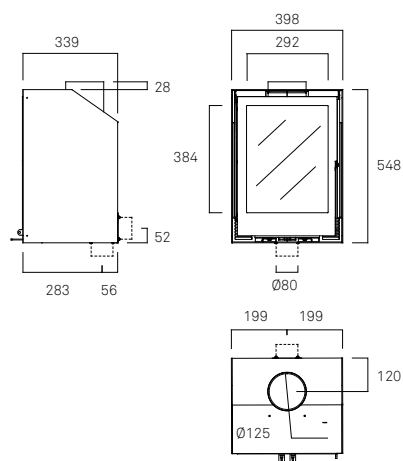
UNE EN-13229

A+

Model in the recertification process.
Final data updated in www.rocal.es



ARc 40V





ARc 50V

ARc 50V + Plus

FEATURES

- Reversible front door.
- Steel combustion chamber.
- Vermiculite inner lining.
- Wraparound casing with optional hot air conduction.
- Segregated hot air direction control: right and left for outlet from front or above.
- Optional external air inlet.
- Preheated primary and secondary air.
- Tertiary or safety air.
- Ash pan removal from front.
- Double deflector, top deflector with two-position adjustable flow.
- Two fans unit with two automatic speed settings and one manual.

Can be supplied without fans unit on request.

OPTIONAL ITEMS

- Adapter for standard four-sided frame.
- Decorative frame 10 cm.
- Fans speed controller.
- Adjustable, levelling stand.
- +Plus.

FITTING ACCESSORIES

- Inlet/outlet diffusers.
- Wood store.

Pages 110 - 111 / 120 - 121

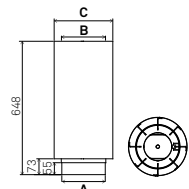
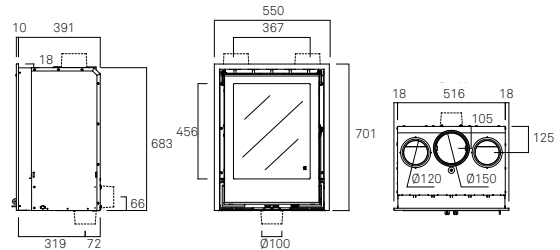
	ARc 50V M5971V	ARc 50V M5971V +Plus 150 C4050
η	77,16%	86,30%
η_{nom}	6,3 kW	8,7 kW
	4 - 7 kW	4 - 9 kW
	0,056%	0,048%
	23 mg/Nm ³	13 mg/Nm ³
	2 kg/h	2,3 kg/h
	98 kg	113,8 kg
	33 cm	33 cm
NOx	98 mg/Nm ³	102 mg/Nm ³
OGC	53 mg/Nm ³	51 mg/Nm ³
Safe Distance mm		



UNE EN-13229
UNE EN-60335



ARc 50V



+Plus 150
A Ø150
B Ø155
C Ø223



ARC 80 DC



ARc DC

ARc DC + Plus

FEATURES

- Reversible doors.
- Steel combustion chamber.
- Vermiculite inner lining.
- Wraparound casing with optional hot air conduction.
- Optional external air inlet.
- Preheated primary and secondary air.
- Double deflector, the lower one with two positions for draught adjusting.
- Steel-coated vermiculite base.

OPTIONAL ITEMS

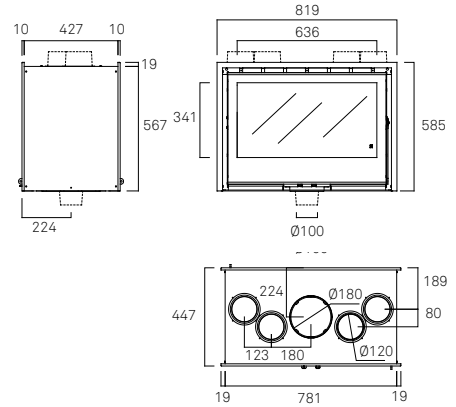
- Adapter for standard four-sided frame.
- Decorative frame 10 cm.
- +Plus.

FITTING ACCESSORIES

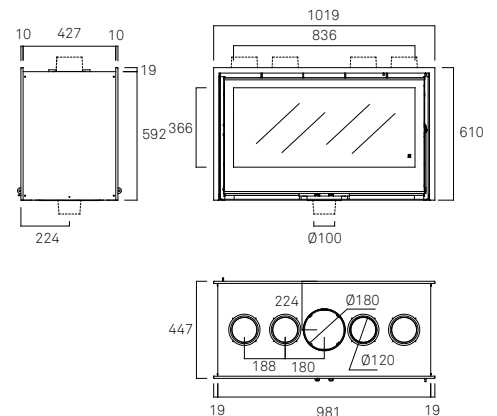
- Inlet/outlet diffusers.

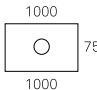
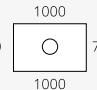
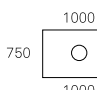
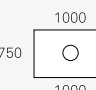
Pages 110 - 111 / 120 - 121

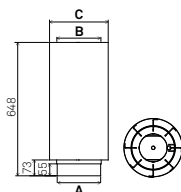
ARc 80 DC



ARc 100 DC



	ARc 80 DC M5981	ARc 80 DC M5981 +Plus 180 C4060	ARc 100 DC M5986	ARc 100 DC M5986 +Plus 180 C4060
η	82 %	85,7 %	80 %	75,90%
P_{nom}	13 kW	12,4 kW	12 kW	13,4 kW
P_{min}	8,5 - 14,5 kW	8,5 - 14,5 kW	9 - 16 kW	9-16 kW
CO	0,12%	0,107%	0,11%	0,101%
P_{CO}	39,67 mg/Nm ³	34,00 mg/Nm ³	41,30 mg/Nm ³	16,3 mg/Nm ³
$P_{kg/h}$	3,45 kg/h	3,55 kg/h	3,52 kg/h	4 kg/h
P_{kg}	160 kg	177,9 kg	216 Kg	233,9 Kg
P_{cm}	40 cm	40 cm	60 cm	60 cm
NOx	94,29 mg/Nm ³	108,00 mg/Nm ³	109,90 mg/Nm ³	102 mg/Nm ³
OGC	144,06 mg/Nm ³	141,00 mg/Nm ³	139,46 mg/Nm ³	81 mg/Nm ³
Safe Distance mm	750 	750 	750 	750 
UNE EN-13229	UNE EN-13229	UNE EN-13229	UNE EN-13229	UNE EN-13229
	A+	A+	A+	A
	AEFECC 7*	AEFECC 7*	AEFECC 6*	AEFECC 7*
	Stelle ambientale 2*	Stelle ambientale 2*	Stelle ambientale 2*	Stelle ambientale 3*
		CONTO TERMICO		ECODESIGN 2022

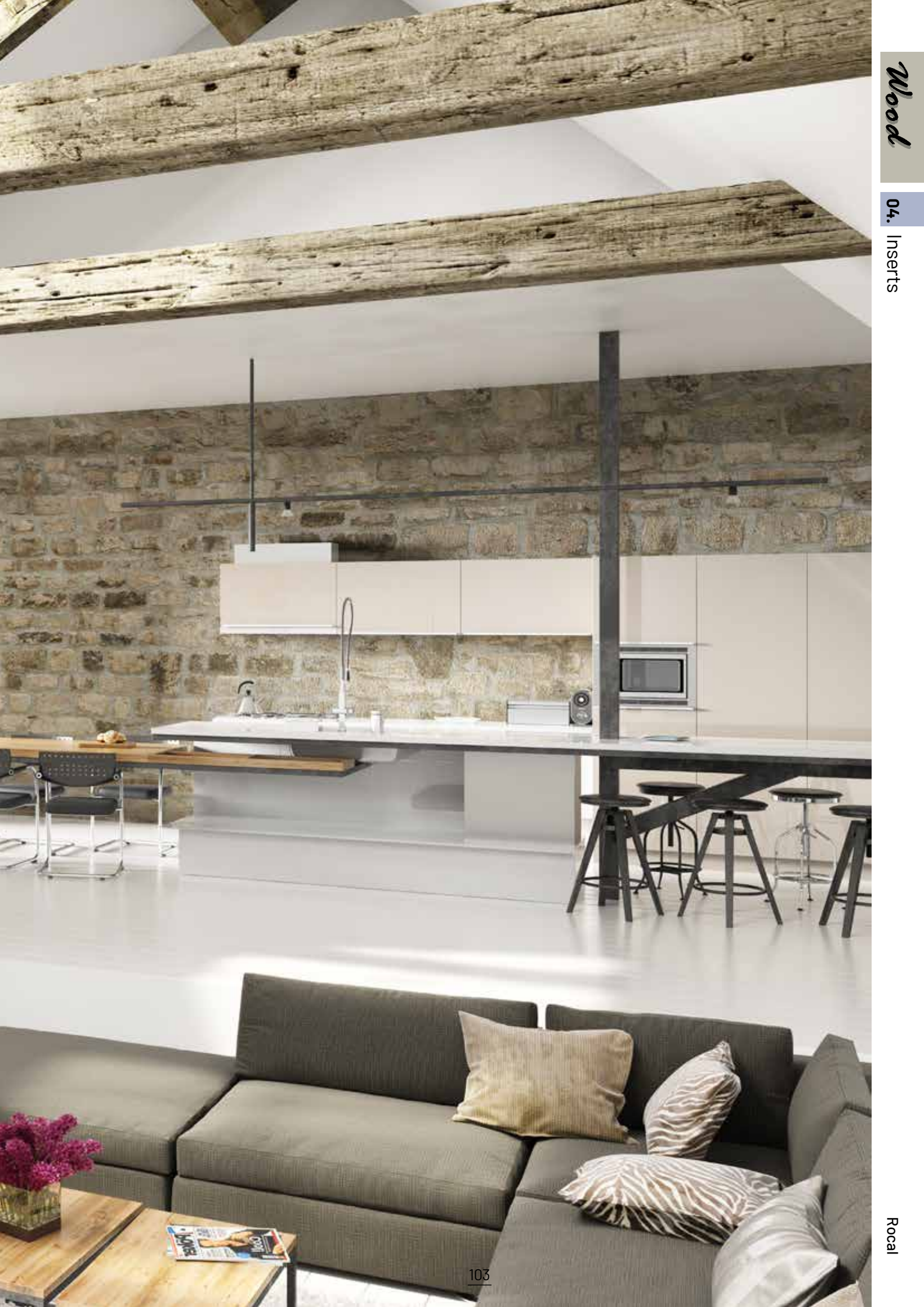


+Plus 180
A Ø180
B Ø185
C Ø257

+Plus



ARC 76 LD



ARc LD/LI

ARc LD/LI + Plus

FEATURES

- Steel combustion chamber.
- Vermiculite inner lining.
- Wraparound casing with optional hot air conduction.
- Segregated hot air direction control: right and left for outlet from front or above.
- Optional external air inlet.
- Preheated primary and secondary air.
- Tertiary or safety air.
- Ash pan removal from front.
- Double deflector, top deflector with two-position adjustable flow.
- Two fans unit with two automatic speed settings and one manual.

OPTIONAL ITEMS

- 4-cm frame.
- Fans speed controller.
- +Plus.
- Adjustable, levelling stand.

FITTING ACCESSORIES

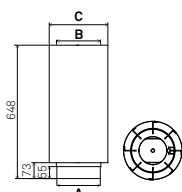
- Inlet/outlet diffusers.
- Wood store.

Pages 110 - 111 / 120 - 121

Can be supplied without fans unit on request.

	ARc 76 LD M5952	ARc 76 LI M5953	ARc 76 LD M5952 +Plus 180 C4060	ARc 76 LI M5953 +Plus 180 C4060	ARc 96 LD M5955	ARc 96 LI M5956
η	84%		77,3%		81%	
nom	9,7 kW		9,4 kW		10,2 kW	
	6,5-11 kW		6,5-11 kW		7-12 kW	
	0,094%		0,08%		0,15%	
	27,68 mg/Nm ³		16,4 mg/Nm ³		25,42 mg/Nm ³	
	2,74 kg/h		2,8 kg/h		2,86 kg/h	
	136 Kg		153,9 Kg		187 Kg	
	40 cm		40 cm		50 cm	
NOx	100,17 mg/Nm ³		104 mg/Nm ³		91,95 mg/Nm ³	
OGC	93,34 mg/Nm ³		66 mg/Nm ³		122,24 mg/Nm ³	
Safe Distance mm						
	UNE EN-13229 UNE EN-60335		UNE EN-13229 UNE EN-60335		UNE EN-13229 UNE EN-60335	

Model in the recertification process.
Final data updated in www.rocal.es



**+Plus
180**
A Ø180
B Ø185
C Ø257

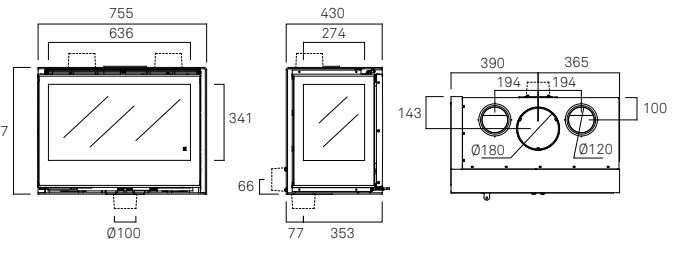
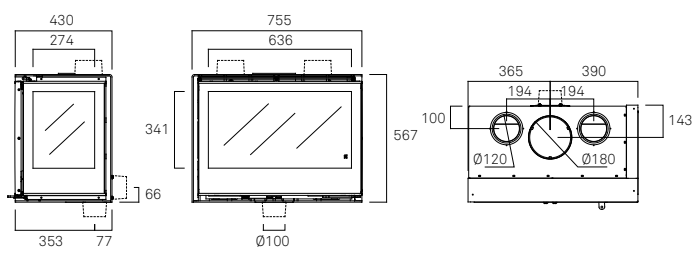
+Plus



ARc 76 LD



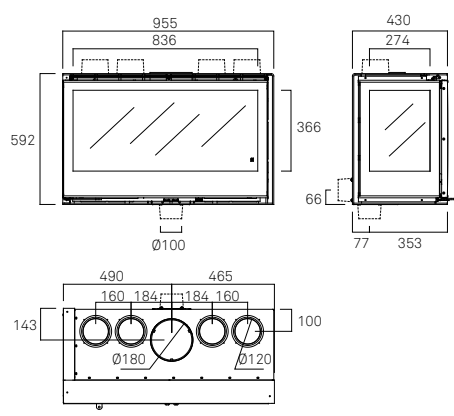
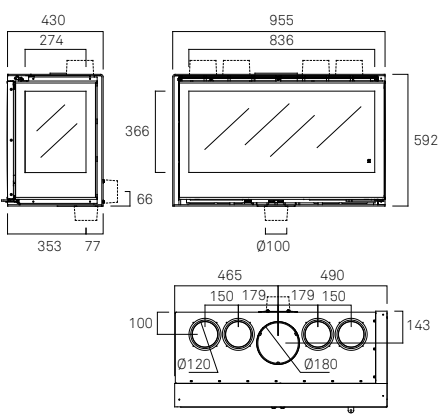
ARc 76 LI



ARc 96 LD



ARc 96 LI





ARc 73TC

ARc 73TC + Plus

FEATURES

- Steel combustion chamber.
- Vermiculite inner lining.
- Wraparound casing with optional hot air conduction.
- Segregated hot air direction control: right and left for outlet from front or above.
- Optional external air inlet.
- Preheated primary and secondary air.
- Tertiary or safety air.
- Ash pan removal from front.
- Double deflector, top deflector with two-position adjustable flow.
- Two (73 TC) or four (93 TC) fans kit with two automatic speed settings and one manual.

OPTIONAL ITEMS

- 4-cm frame.
- Fans speed controller.
- +Plus.
- Adjustable, levelling stand.

FITTING ACCESSORIES

- Inlet/outlet diffusers.
- Wood store.

Pages 110 - 111 / 120 - 121

Can be supplied without fans unit on request.

	ARc 73 TC M5963	ARc 73 TC M5963 +Plus 180 C4060
η	80,8%	85,01%
η_{nom}	11,4kW	11,1 kW
	7,5-13 kW	7,5-13 kW
	0,11%	0,09%
	39,81 mg/Nm ³	38,76 mg/Nm ³
	3,4 kg/h	2,8 kg/h
	131 kg	148,8 kg
	45 cm	45 cm
NOx	104,89 mg/Nm ³	71,5 mg/Nm ³
OGC	98,78 mg/Nm ³	36,69 mg/Nm ³
Safe Distance mm		
	UNE EN-13229 UNE EN-60335	UNE EN-13229 UNE EN-60335

A+

AEFECC 7*

Stelle ambientale 3*

ECODESIGN 2022

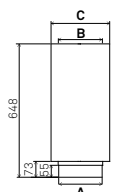
A+

AEFECC 7*

Stelle ambientale 3*

CONTO TERMICO

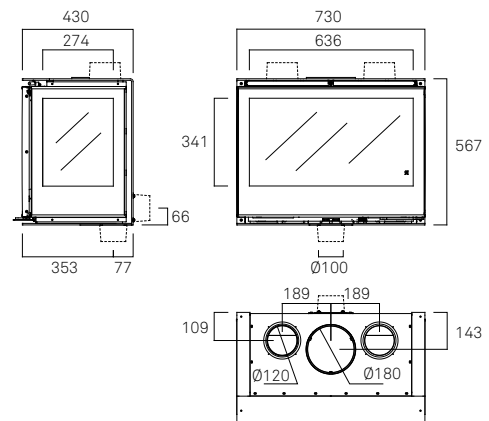
ECODESIGN 2022



+Plus 180
A Ø180
B Ø185
C Ø257



ARc 73 TC





ARc 93TC

ARc 93TC + Plus

FEATURES

- Steel combustion chamber.
- Vermiculite inner lining.
- Wraparound casing with optional hot air conduction.
- Segregated hot air direction control: right and left for outlet from front or above.
- Optional external air inlet.
- Preheated primary and secondary air.
- Tertiary or safety air.
- Ash pan removal from front.
- Double deflector, top deflector with two-position adjustable flow.
- Two (73 TC) or four (93 TC) fans kit with two automatic speed settings and one manual.
- Can be supplied without fans unit on request.

OPTIONAL ITEMS

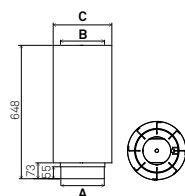
- 4-cm frame.
- Fans speed controller.
- Adjustable, levelling stand

FITTING ACCESSORIES

- Inlet/outlet diffusers.
- Wood store.

Pages 110 - 111 / 120 - 121

	ARc 93 TC M5965	ARc 93 TC M5965 +Plus 180 C4060
η	79%	79,6%
norm	12,1 kW	12,4 kW
	8,5-14,5 kW	8,5-14,5 kW
	0,07%	0,085%
	39,5 mg/Nm ³	20,20 mg/Nm ³
	3,47 kg/h	3,56 kg/h
	161 kg	179 kg
	60 cm	60 cm
NOx	82,72 mg/Nm ³	126 mg/Nm ³
OGC	52,66 mg/Nm ³	48 mg/Nm ³
Safe Distance mm		
	UNE EN-13229 UNE EN-60335	UNE EN-13229 UNE EN-60335

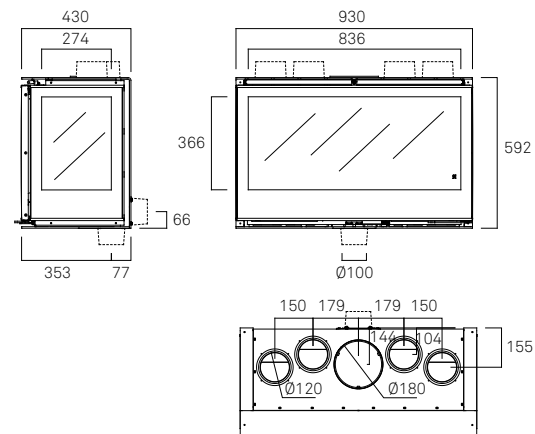


- +Plus 180**
- A Ø180
 - B Ø185
 - C Ø257

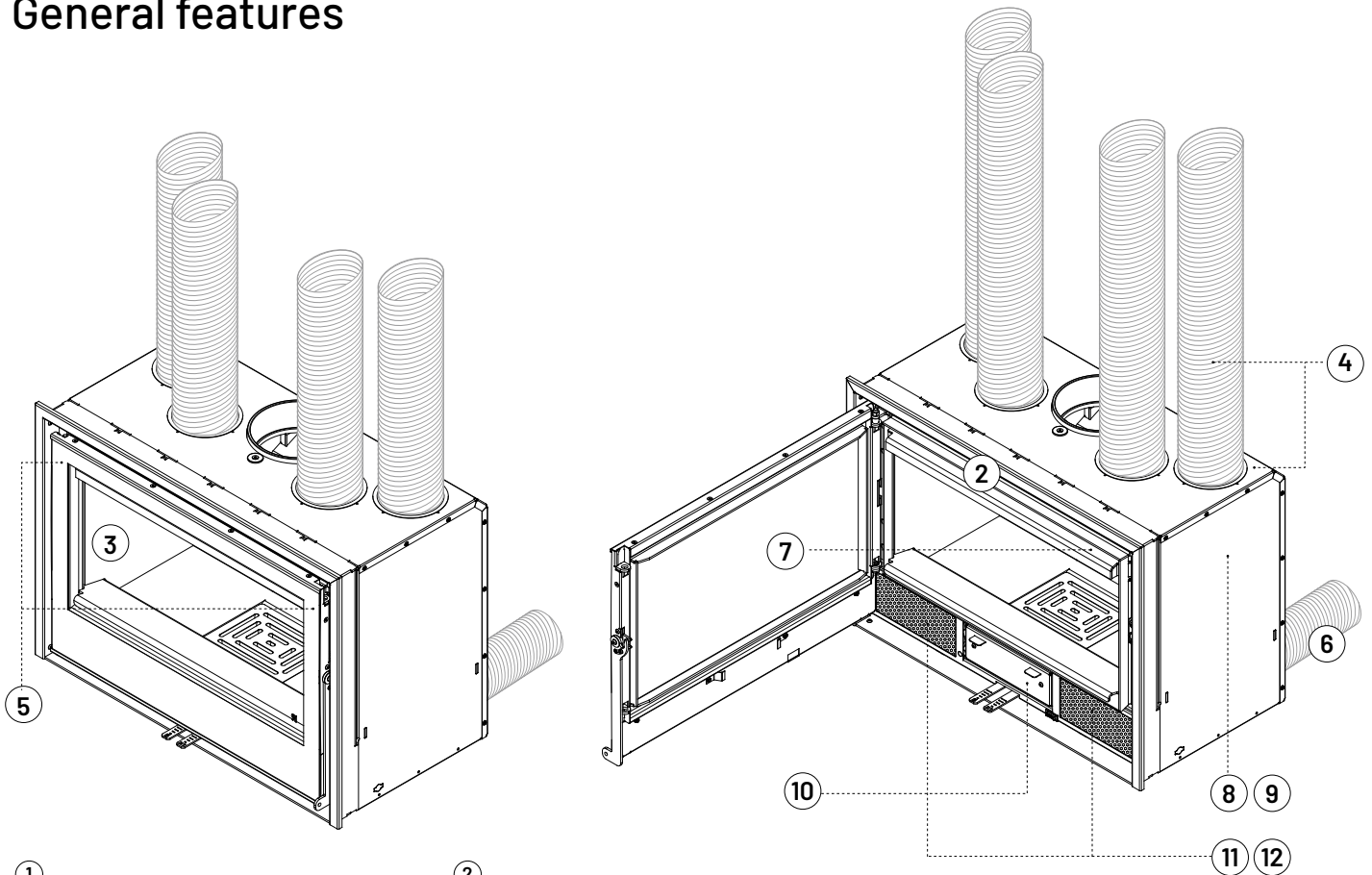
+Plus



ARc 93 TC



General features



1 Reversible front door.
(Except model TC, LD and LI)



2 Steel combustion chamber.
The highly robust combustion chamber ensures the long life of these appliances..



3 Vermiculite inner lining.



6 External air inlet.



10 Ash pan.
Except ARc 80DC and ARc 100DC.



4 Wrap-around casing and optional hot air conduction.
(only for inserts)



7 Preheated secondary air.



11 2 fans unit with 2 automatic speed settings and 1 manual.



5 Air direction control from front or above.
(only for inserts)

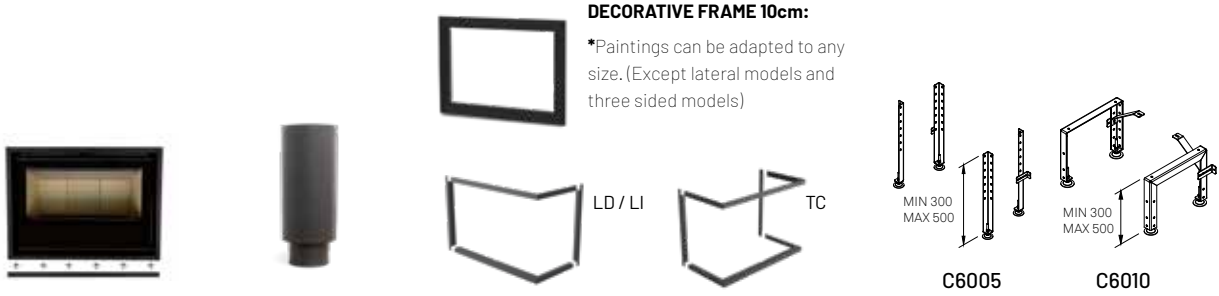


8 Tertiary or safety air.
9 Preheated primary air.



12 4 fans kit with 2 automatic speed settings and 1 manual.

Optional items



DECORATIVE FRAME 10cm:
*Paintings can be adapted to any size. (Except lateral models and three sided models)

Adaptor for standard 4-sided frame.	+ Plus 150 C4050	+ Plus 180 C4060	FRAME			Adjustable, levelling stand.	
			2,5 cm	4 cm	10 cm		

Model	Adaptor	+ Plus 150 C4050	+ Plus 180 C4060	2,5 cm	4 cm	10 cm	Adjustable, levelling stand.	Adjustable, levelling stand.
ARc 70	M5705-11	✓	✗	-	-	M5705-13	✓	✗
ARc 70 A	M5705-11	✓	✗	-	-	M5707-13	✓	✗
ARc 70 C	M5705-11	✓	✗	-	-	M5921-13	✓	✗
ARc 80	M5710-11	✗	✓	-	-	M5710-13	✓	✗
ARc 100	M5715-11	✗	✗	-	-	M5715-13	✓	✗
ARc 50 V	M5971-11	✓	✗	-	-	M5971-13	✓	✗
ARc 40 V	-	✗	✗	M5974-11 Includes adaptor	-	-	✗	✗
ARc 80 DC	M5710-11	✗	✓	-	-	M5710-13	✗	✗
ARc 100 DC	M5715-11	✗	✓	-	-	M5715-13	✗	✗
ARc 76 LD / LI	-	✗	✓	-	M5952-11	-	✗	✓
ARc 96 LD / LI	-	✗	✗	-	M5955-11	-	✗	✓
ARc 73 TC	-	✗	✓	-	M5963-11	-	✗	✓
ARc 93 TC	-	✗	✓	-	M5965-11	-	✗	✓



+Plus

Twinwall pipe for gas cooling. This supplement increases the performance and efficiency of the product, in addition, decreases the particles, NOX and OGC.



Built-in

Adjustable fan speed control:
Speed adjustment with 9 positions.
With four preprogrammed modes.
Compatible with G series modules and ARc Inserts.



Separate box

Adjustable fan speed control:
Speed adjustment with 12 positions.
With four preprogrammed modes.
Compatible with G series modules and ARc Inserts.





RCr graffiti

FEATURES

Reversible front door.
Steel combustion chamber.
Vermiculite lining.
Wrap-around casing and optional hot air conduction.
Air direction control from front or above.
Primary and secondary register.
Ash pan removal from front.
2- or 4- fans unit with 2-speed automatic or manual thermostat switch.

OPTIONAL ITEMS

Adaptor for standard 4-sided frame.
Decoratives frames, 10 cm.
Adjustable, levelling stand.

FITTING ACCESSORIES

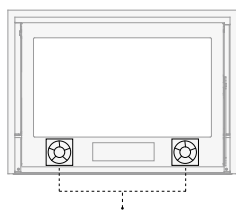
Inlet/outlet diffuser vents.
Wood store.

More details: Pages 118 - 121

	RCr 70 graffiti M5706	RCr 70 A graffiti M5708	RCr 80 graffiti M5711	RCr 100 graffiti M5716
	79,5%	79,5%	81%	80%
	7,5 kW	7,5 kW	9,3 kW	10,5 kW
	5-9 KW	5-9 KW	6-11 KW	7-12,5 KW
	0,12%	0,12%	0,13%	0,26%
	16 mg/Nm ³	16 mg/Nm ³	19 mg/Nm ³	20 mg/Nm ³
	2,2 kg/h	2,2 kg/h	2,4 kg/h	3,2 kg/h
	95 kg	99 kg	119 kg	148 kg
	45 cm	45 cm	50 cm	60 cm
NOx	- mg/Nm ³	- mg/Nm ³	- mg/Nm ³	- mg/Nm ³
OGC	- mg/Nm ³	- mg/Nm ³	- mg/Nm ³	- mg/Nm ³
Safe Distance mm				
	UNE EN-13229 UNE EN-60335	UNE EN-13229 UNE EN-60335	UNE EN-13229 UNE EN-60335	UNE EN-13229 UNE EN-60335

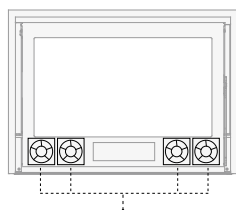
Model in the recertification process. Final data updated in www.rocal.es

RCr 70 / RCr 70A



2 fans unit with 2 manual speed settings and 1 automatic.

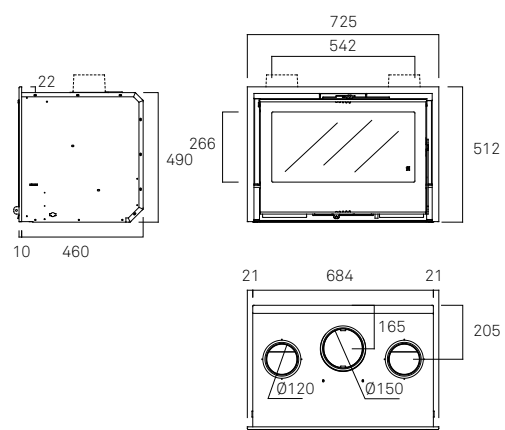
RCr 80 / RCr 100



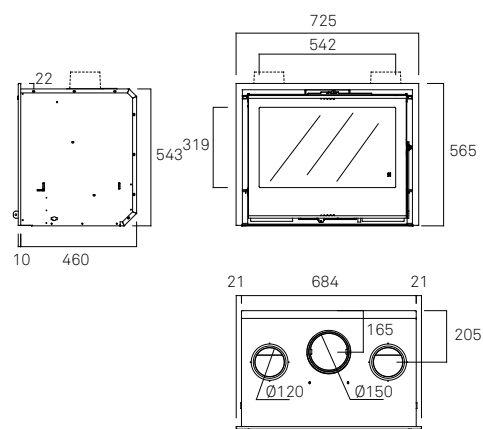
4 fans unit with 2 manual speed settings and 1 automatic.



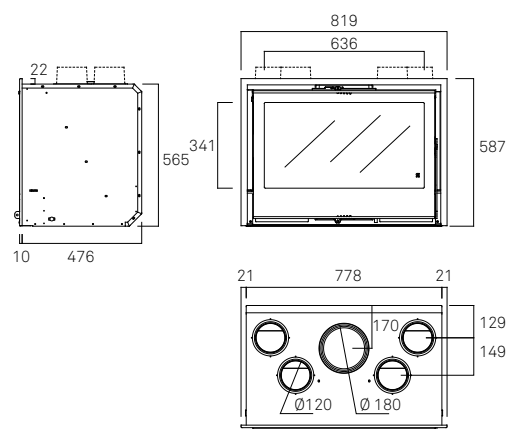
RCr 70 graffiti



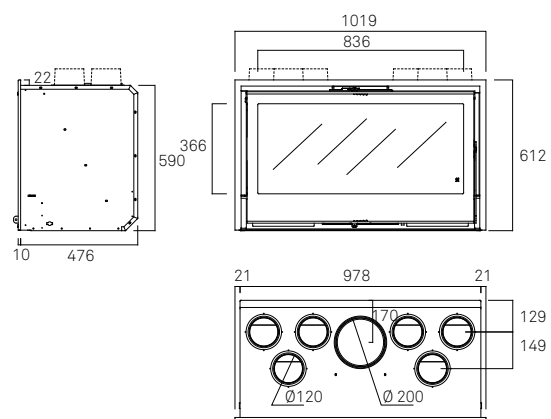
RCr 70 A graffiti



RCr 80 graffiti



RCr 100 graffiti





RCr 65 classic

FEATURES

- Reversible front door.
- Steel combustion chamber.
- Vermiculite lining.
- Wrap-around casing and optional hot air conduction.
- Air direction control from front or above.
- Primary and secondary register.
- Ash pan removal from front.
- 2- or 4- fans unit with 2-speed automatic or manual thermostat switch.

OPTIONAL ITEMS

- Adaptor for standard 4-sided frame.
- Decorative frames, 10 cm.
- Adjustable, levelling stand.

FITTING ACCESSORIES

- Inlet/outlet diffuser vents.
- Wood store.

More details: Pages 118 - 121

RCr 65 classic

M5700

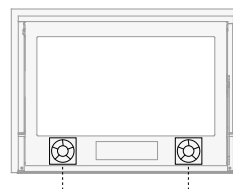
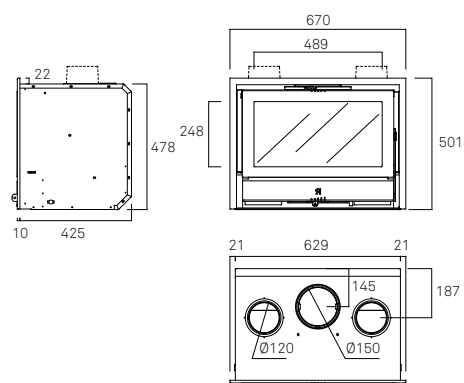
η	77%
$\frac{\text{flame}}{\text{nom}}$	6,7 kW
$\frac{\text{flame}}{\text{flame}}$	4,5-7,5 kW
CO	0,26%
$\frac{\text{dots}}{\text{dots}}$	- mg/Nm ³
$\frac{\text{kg}}{\text{kg/h}}$	1,9 kg/h
$\frac{\text{kg}}{\text{kg}}$	79,5 kg
$\frac{\text{cm}}{\text{cm}}$	40 cm
NOx	- mg/Nm ³
OGC	- mg/Nm ³
Safe Distance mm	
	UNE EN-13229 UNE EN-60335

A

Model in the recertification process.
Final data updated in www.rocal.es



RCr 65 classic



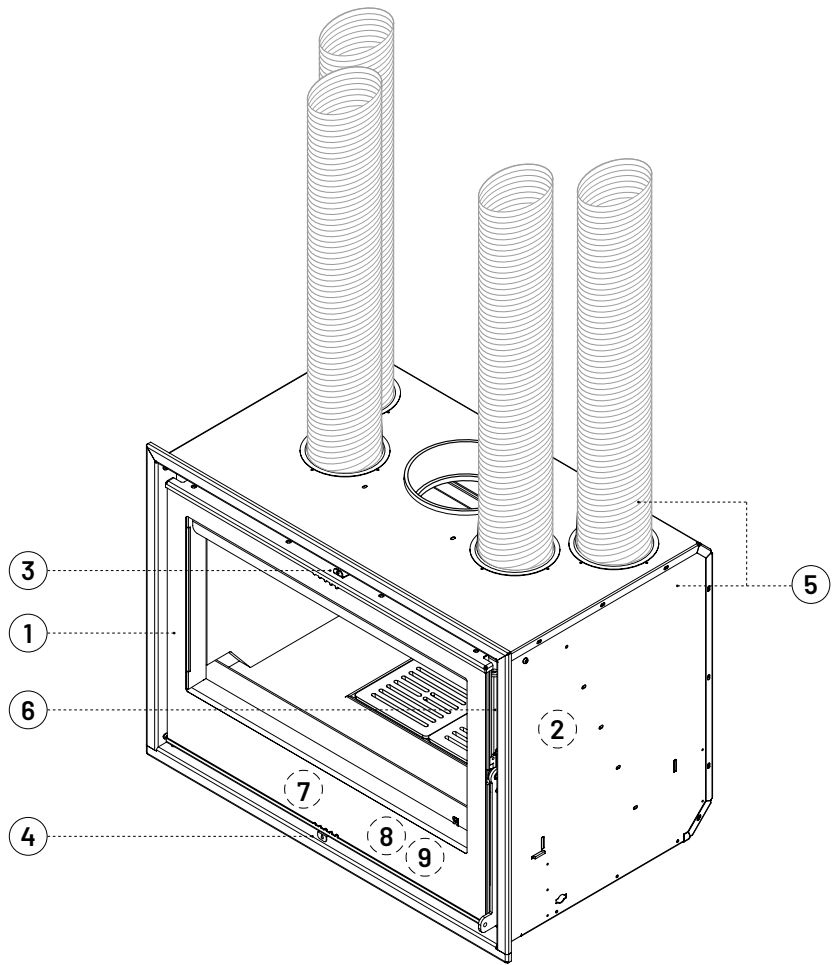
RCr 65

2 fans unit with 2 manual speed settings and 1 automatic.

General features



Vermiculite lining.



* Explanatory diagram Model RCr80 graffiti

①



Reversible front door.

②



Steel combustion chamber.
The high robustness of the combustion chamber ensures the long life of these devices.

⑤



Wrap-around casing and optional hot air conduction.

⑧



2- fans unit with 2-speed automatic or manual thermostat switch (270 m³/h).

③



Secondary register.
Mechanism that provides oxygen for combustion through the upper part of the glass.

⑥



Air direction control from front or above.

⑨



4- fans unit with 2-speed automatic or manual thermostat switch (540 m³/h). (RCr 80, RCr 100)

④



Primary register.
Mechanism that provides oxygen for combustion through the fire grille.

⑦



Ash pan removal from front.

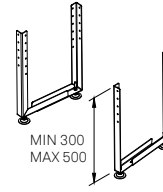
Optional items



Adaptor for standard 4-sided frame.



FRAME
10 cm



C6000

Adjustable, levelling stand.

RCr 65 classic	M5700-11	M5700-13	✓
RCr 70 graffiti	M5705-11	M5705-13	✓
RCr 70 A graffiti	M5707-11	M5707-13	✓
RCr 80 graffiti	M5710-11	M5710-13	✓
RCr 100 graffiti	M5715-11	M5715-13	✓

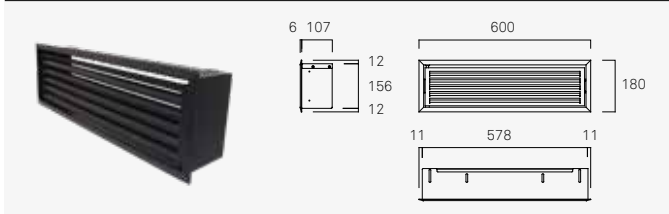
Fitting accessories

Our range of fitting accessories makes home installation easier and helps you achieve the right look.

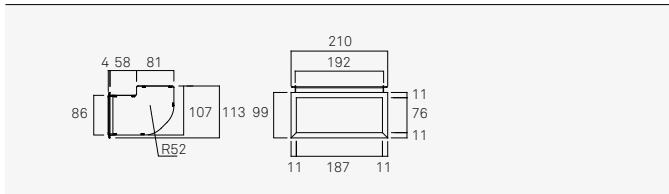
DIFFUSER VENTS

With the aim of providing solutions when inserts and fireplaces are fitted in completed buildings, we have created a range of diffuser vents that ensure proper convection-air inlet and outlet, i.e. the proper venting of the hearth, and help to integrate these components, which can be difficult to add..

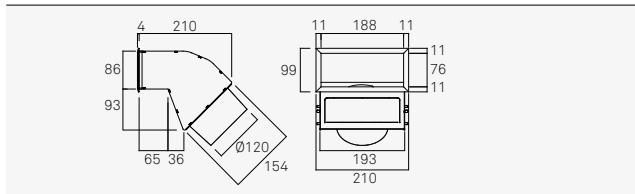
C4000 Diffuser vent with hinged inlet



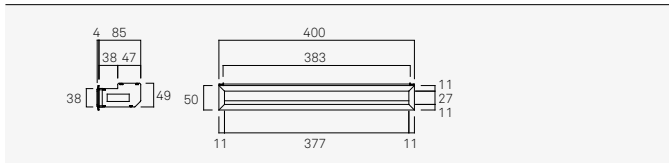
D0000 Single air inlet diffuser vent



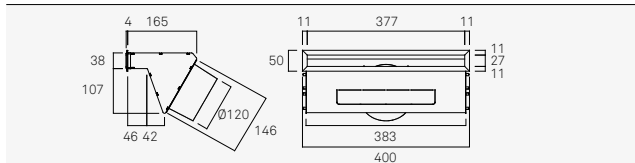
D1000 Single air outlet diffuser vent



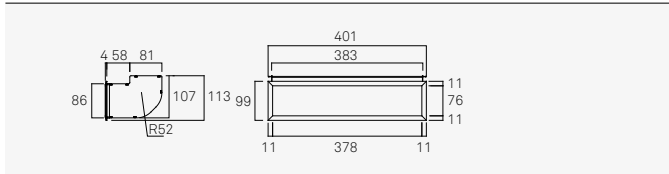
D0002 Single air inlet diffuser vent



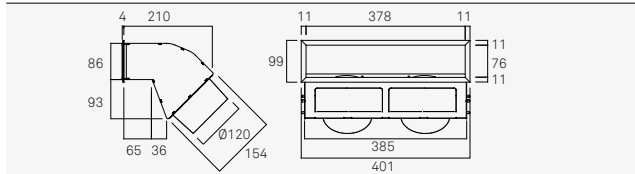
D1002 Single air outlet diffuser vent



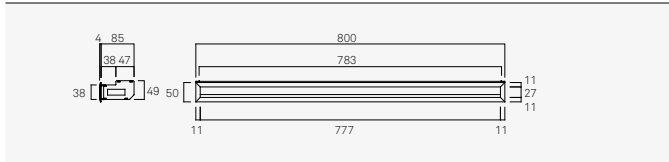
D0005 Double air inlet diffuser vent



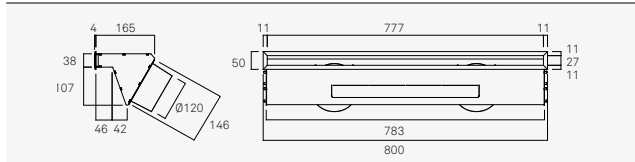
D1005 Double air outlet diffuser vent



D0007 Double air inlet diffuser vent



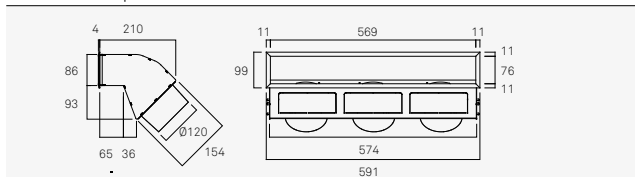
D1007 Single air outlet diffuser vent



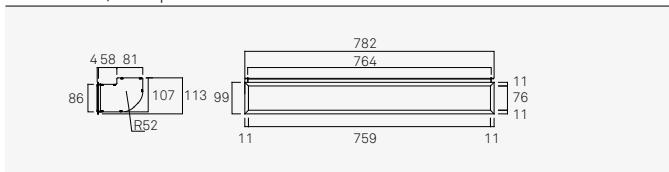
D0010 Triple air inlet diffuser vent



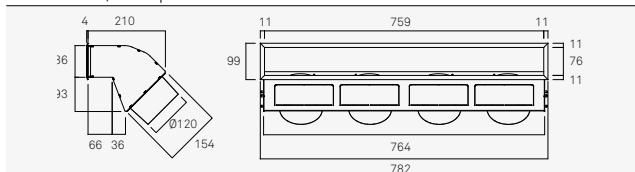
D1010 Triple air outlet diffuser vent



D0015 Quadruple air inlet diffuser vent



D1015 Quadruple air outlet diffuser vent



LOG STORE

An ideal space for storing logs.

Cut-outs for three shelves and light in upper section.

Optional items

C1000 Steel black shelf



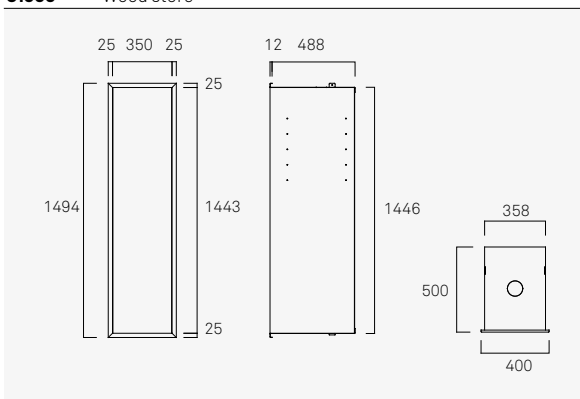
Outlet diffuser vent

Inlet diffuser vent



Wood store

C1000 Wood store



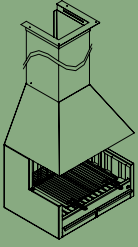
05.

Barbecues

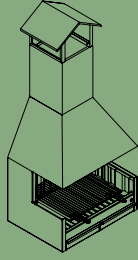
Barbecues, the pleasure of al fresco cooking.

Rocal barbecues come in classic styles, are reliable and last a lifetime.

Palma 75 inox
porche
124, 126



Palma 75 inox
jardin
127, 128



Accessories 127



Palma 75 inox jardín



Palma 75 inox jardín

Stainless steel barbecue with grill and ash box included. Outdoors.
This garden version includes a spark guard inside the pipe.

CUSTOM ADAPTATIONS

Stainless steel flue.

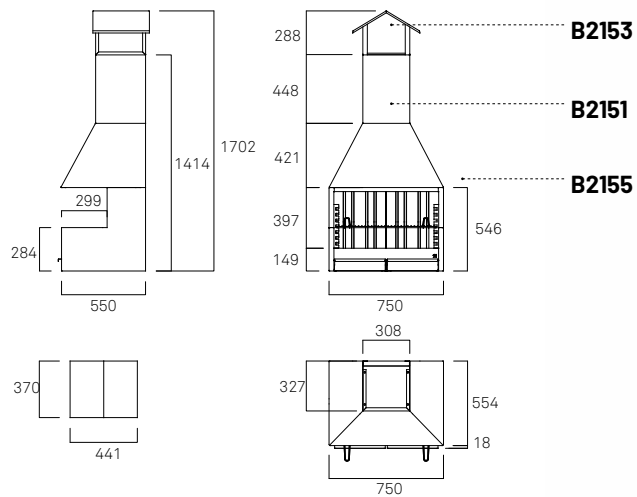
Page 127

INCLUDED ACCESSORIES

Fish grill and tong.

Paella pan.

Page 127



Grill measures (mm): 655x450



Palma 75 inox porche

Stainless steel barbecue with grill and ash box included. Indoors.

CUSTOM ADAPTATIONS

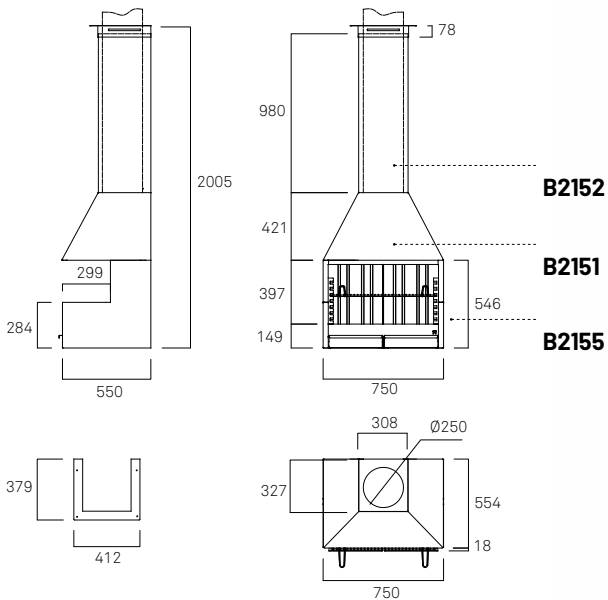
Stainless steel cover pipe.
Special trim.
Sloped trim.

Page 127

INCLUDED ACCESSORIES

Fish grill and tong.
Paella pan.

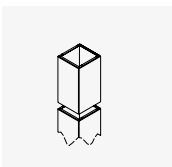
Page 127



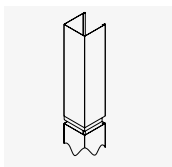
Grill measures (mm): 655x450



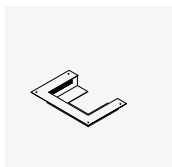
Custom adaptations - Palma



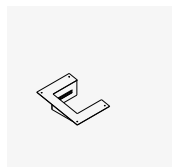
Stainless steel flue.



Stainless steel cover pipe.



Special stainless steel trim.



Sloped stainless steel trim.

Included accessories - Palma



Fish grill and tong.



Paella pan.



Palma 75 inox porche



Gas

Gas

Our priority is to offer improvements and alternatives constantly, we are creating a range of Gas fireplaces with the exclusive designs of our brand. Gas represents a plus of comfort and quality for many homes; allows us to enjoy instant fire in a

simple and safe way. In addition, Gas is the perfect option for urban spaces or with regulations where firewood is excluded.



01.

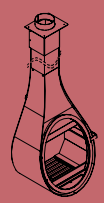
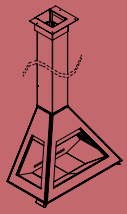
Design Freestanding Stoves

Our gas fireplaces are the perfect experience to enjoy the pleasure of firewood with the comfort of gas technology. We have adapted our most iconic designs to offer the unique and exclusive Rocal touch.

Our faithful commitment to firewood has prompted us to develop a range of gas fireplaces that have the same charm

of real fire. Our priority is to provide a maximum of reality to create the same effect as firewood. All of our designs have been certified and operate using a balanced flue system for greater security. Our intention is to gradually increase this selection and offer more gas Rocal models in the future.

Frontal

<p>Drop Gas 134, 136</p> 	<p>D-10 Gas 137, 138</p> 
--	--





Drop Gas

Balanced flue gas fireplace with frontal view. Thanks to its burner with advanced technology gives us an excellent consistent performance and efficiency. The lighting of the fire and flame modulation are controlled by the system RC Symax. A realistic flame effect even at low intensity,

FEATURES

- Natural Gas or Propane
- Balanced flue combustion
- Remote control
- Only possible with ceramic logs
- Steel and vermiculite interior
- Connection tube 150/100

The height of the flame is lower in the case of propane appliances.
Check final values with your distributor.

Drop Gas

G-X1320



Natural gas: 83,5%
Propane : 85%



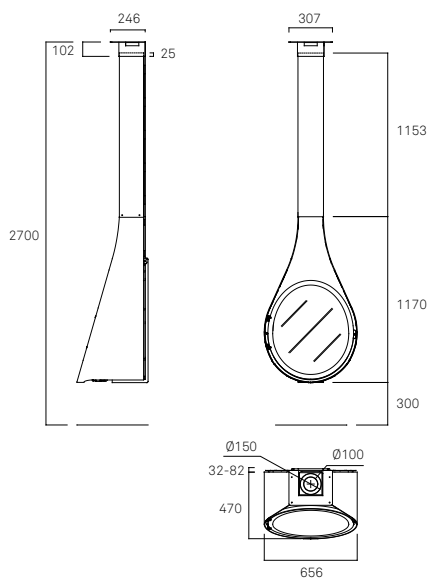
Triple burner "Gas Real Flame Log burner"



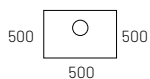
Natural gas (min - max) : 3-8,4 kW
Propane (min - max) : 2,5 - 6,8 kW



125 kg



Security distances
(mm):



Remote control



D-10 Gas

Balanced flue gas fireplace with a 3 sided view. Thanks to its burner with advanced technology gives us an excellent consistent performance and efficiency. The lighting of the fire and flame modulation are controlled by the system RC Symax. A realistic flame effect even at low intensity.

FEATURES

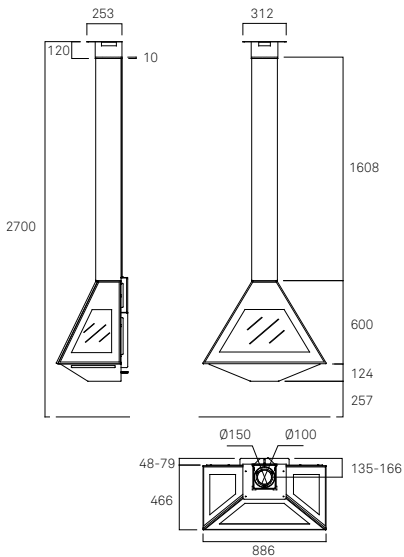
- Natural Gas or Propane
- Balanced flue combustion
- Remote control
- Only possible with ceramic logs
- Steel and vermiculite interior
- Connection tube 150/100

The height of the flame is lower in the case of propane appliances. Check final values with your distributor.

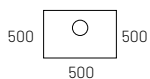
D-10 Gas

G-X1267

	Natural gas: 84,5% Propane : 85,2%
	Double burner
	Natural gas (min - max) : 3-8 kW Propane (min - max) : 3 - 7,3 kW
	132 kg



Security distances (mm):

















Remote control





Symbols

	Efficiency
	Rated power kW
	Output range
	CO to 13%O ₂ Carbon monoxide emission
	Fuel consumption per hour
	Weight
	Log length
	UNE-EN XXXX certified.
	Particle concentration
NO _x	Mono-nitrogen oxides
OGC	Volatile organic compounds
	Energy Class (Regulation 2015/1186)
	AEFECC certificate
	Environmental stars
	Conto termico certificate
	Ecodesign2022 European regulation

Manufacturas Rocal SA

Raval Sant Antoni, 2
08540 Centelles
Barcelona

www.rocal.es

info@rocal.es
T +34 93 8812451

Manufacturer

Manufacturas Rocal SA

Product design

Manufacturas Rocal SA and Joan Gaspar

Graphic design

Integrum

Photography

Integrum
Foto-disseny JE

Copyright

Manufacturas Rocal SA, June 2021

More information

www.rocal.es

Please note: This catalogue is valid for approximately one year, during which the products may be subject to changes. Consult the distributor or our website for more up-to-date information.

© Copyright of this edition held by Manufacturas Rocal, SA.

All rights reserved. No part of this publication may be reproduced, stored or sent by any means without the permission of Manufacturas Rocal, SA.

Manufacturas Rocal SA reserves the right to modify any of the features and finishes of its products without prior warning.



ROCAL

MANUFACTURAS SA

Manufacturas Rocal SA

Raval Sant Antoni, 2

08540 Centelles

Barcelona

www.rocal.es

man.rocal@rocal.es

T +34 93 8812451